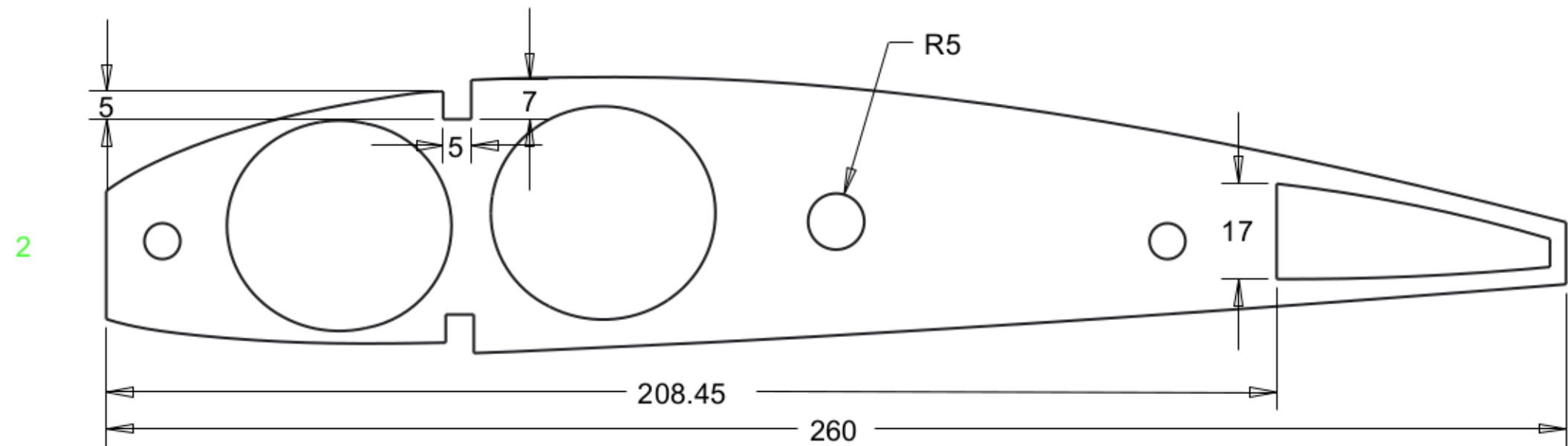
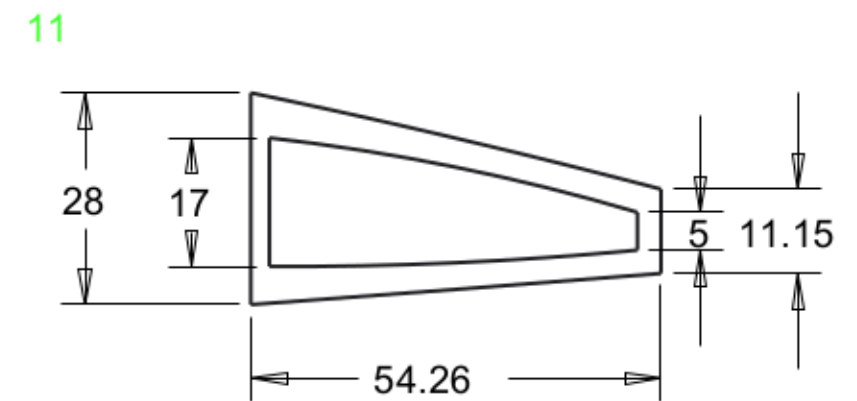
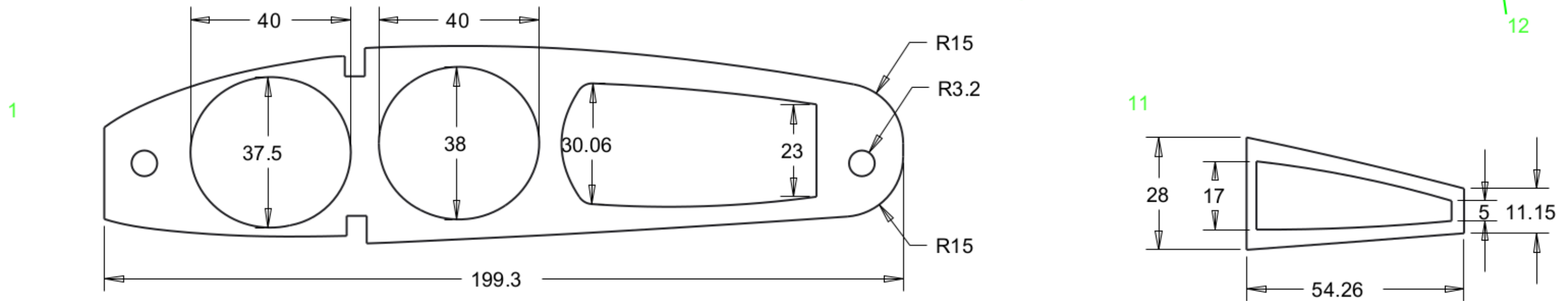
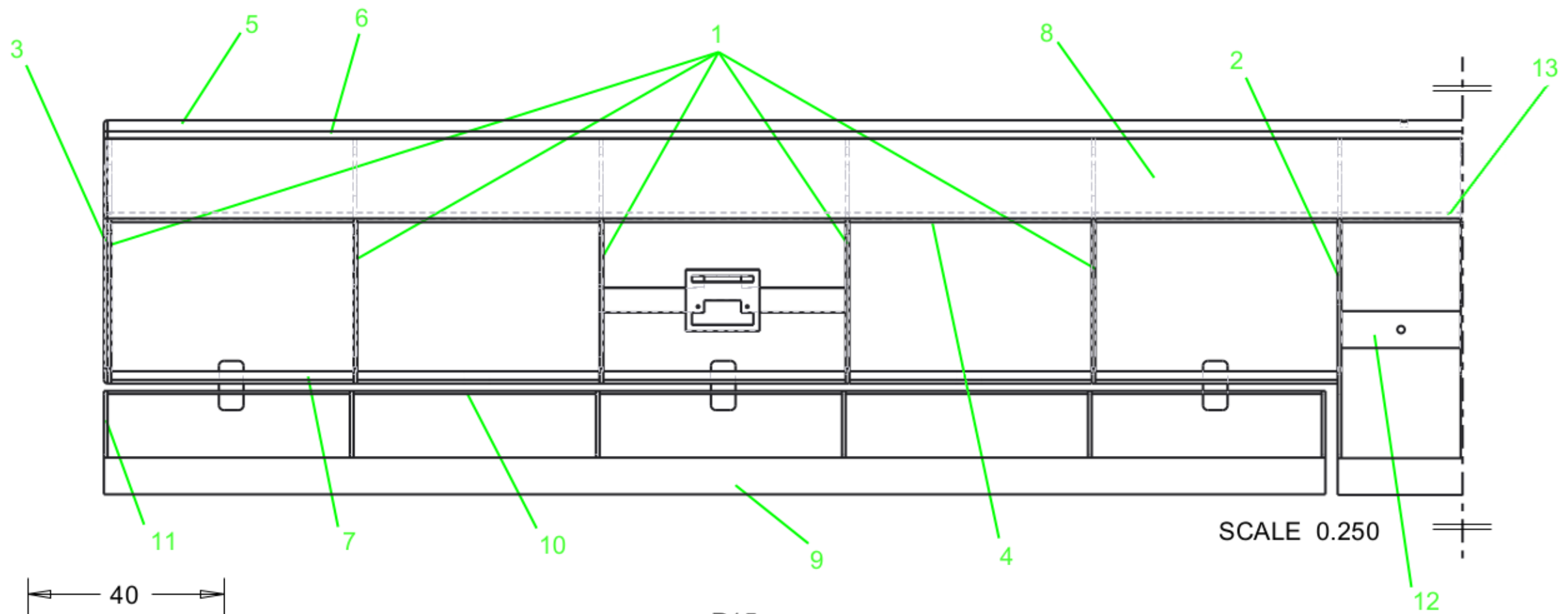


Construction		
No.	Part Name	Material
1	Short rib	3mm Ply
2	Long rib	3mm Ply
3	End rib	3mm Balsa
4	Shear web	3mm Ply
5	Leading edge	10mm Balsa
6	False L.E.	10mm Balsa
7	Rib separators	5mm Balsa
8	D-Box	1.5mm Balsa
9	Trailing edge	10mm Balsa
10	Aileron web	3mm Balsa
11	Aileron rib	3mm Ply
12	Wing mount	3mm Ply
13	Spar	5*5mm Cypris



University of Strathclyde Group A	
W14 Team A	
Wing Details	
Scale 1:1	Drawing 3
All Dimensions mm	