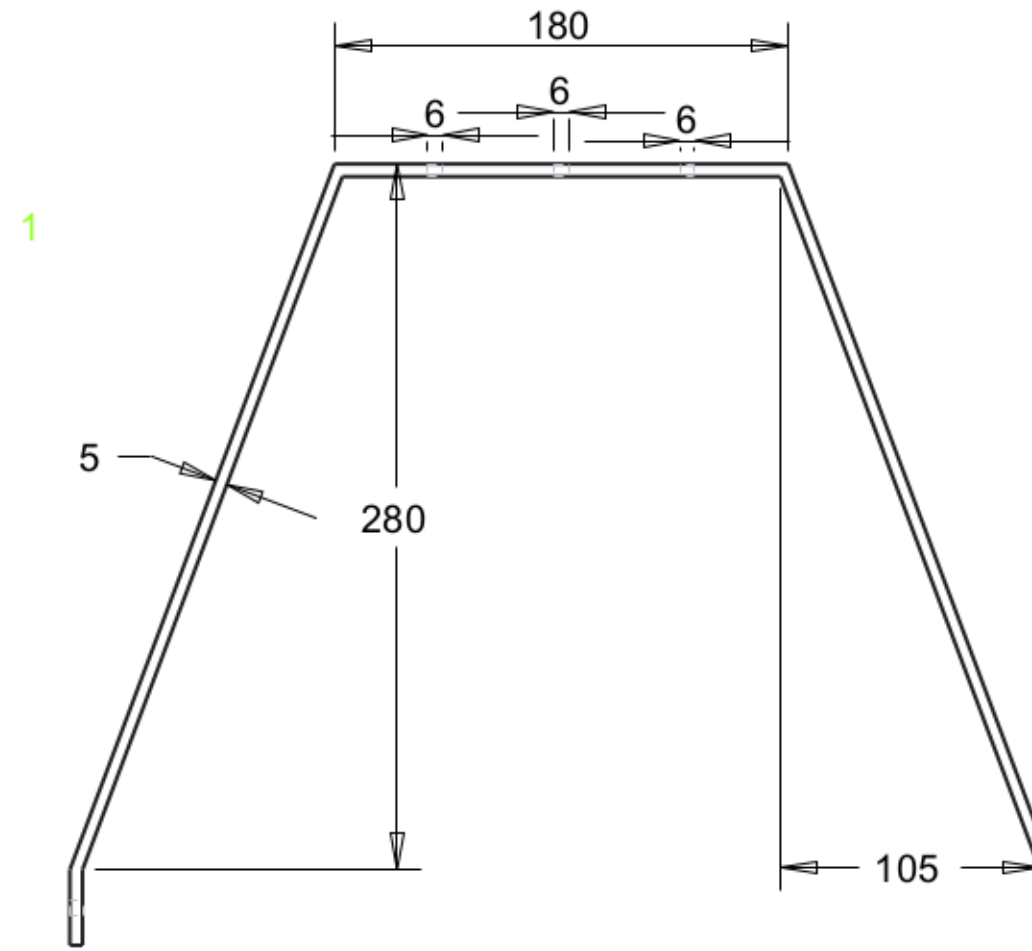
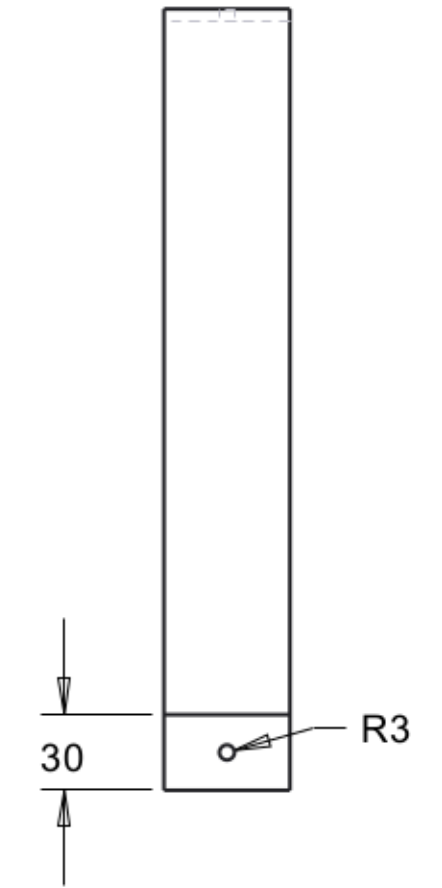


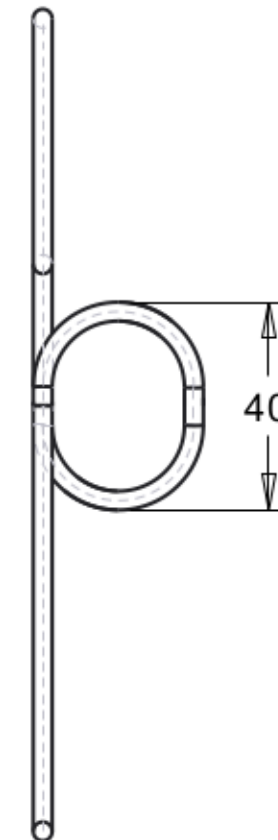
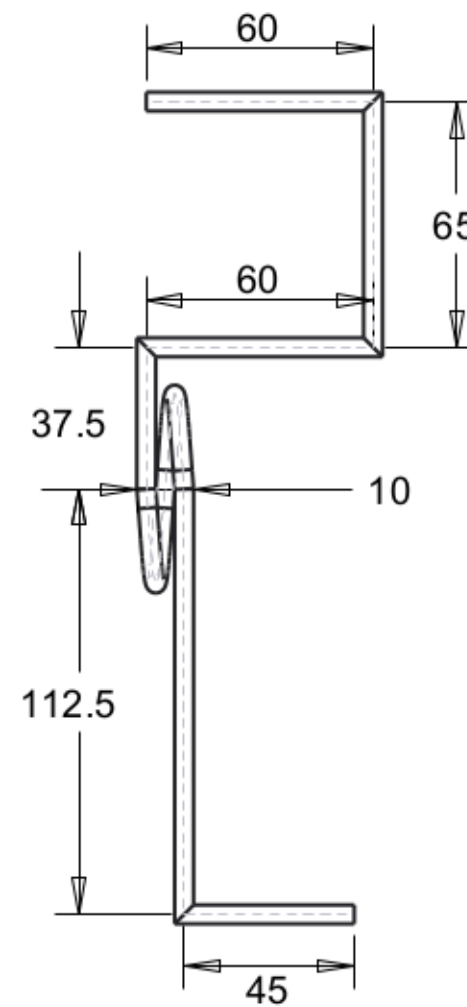
Construction		
No.	Part Name	Material
1	Rear UC	Glass Fiber (7 Layers)
2	Front UC	6 SWG



SCALE 0.333



2



University of Strathclyde Group A

W14 Team A

Undercarrige

Scale 1:2

Drawing 8

All Dimensions mm