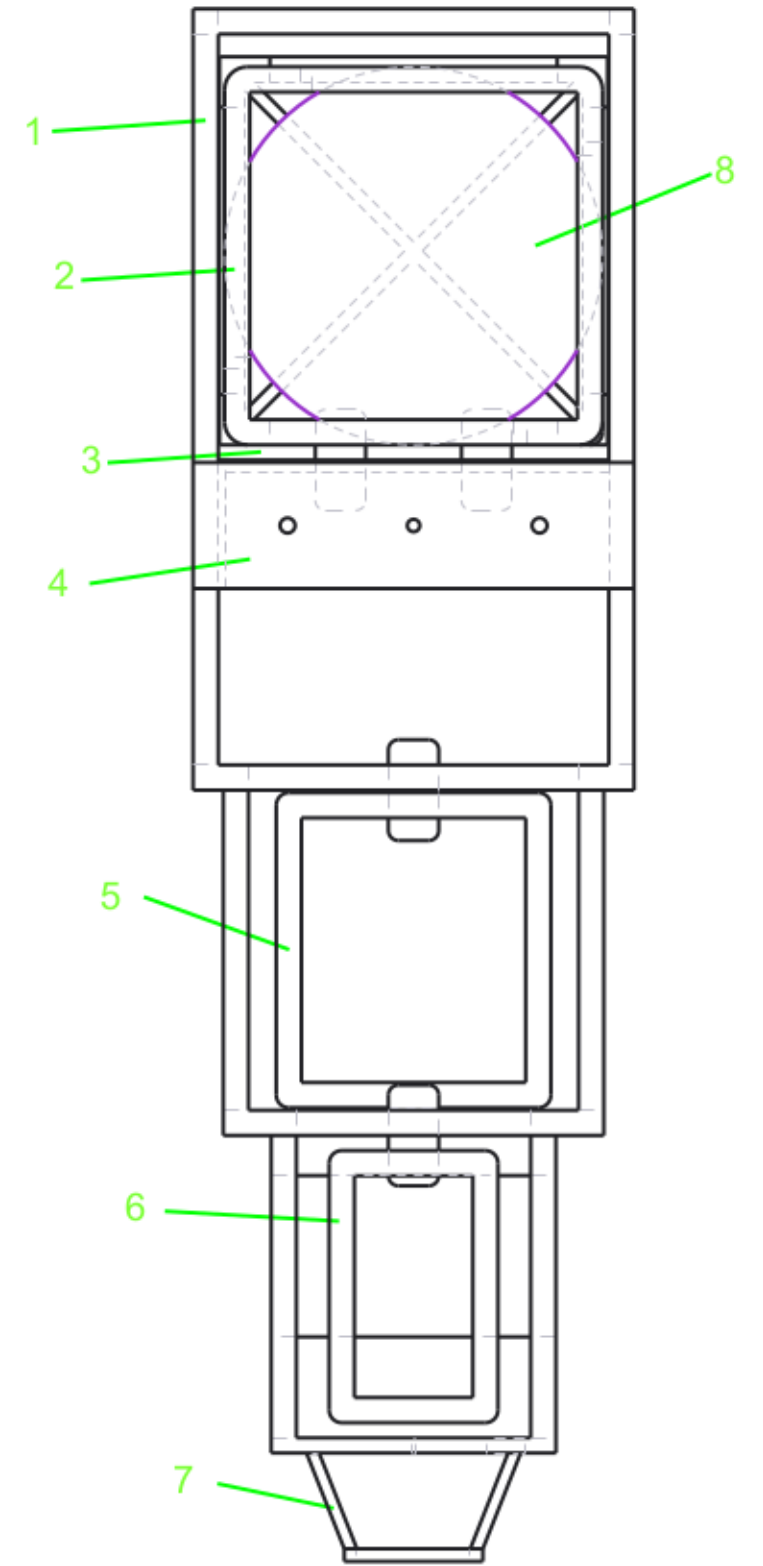
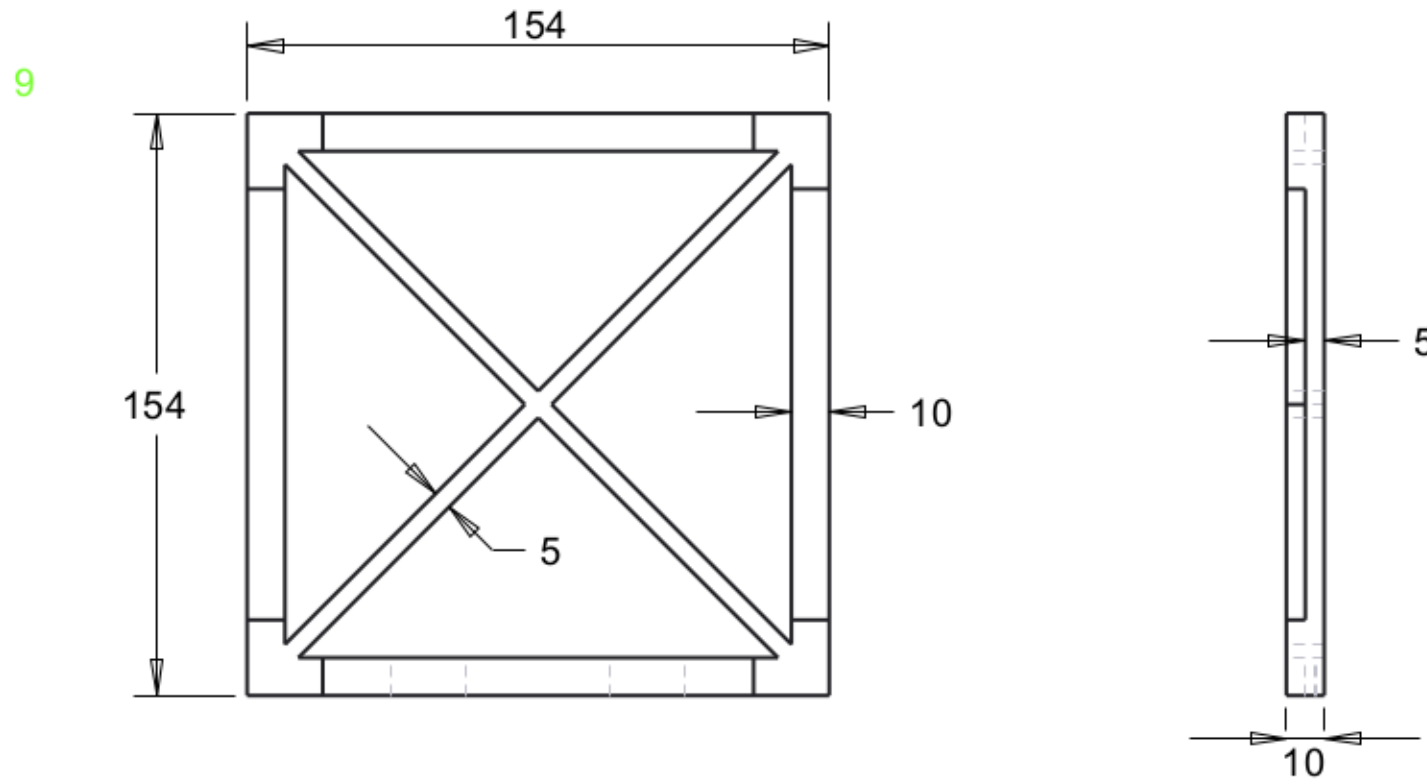
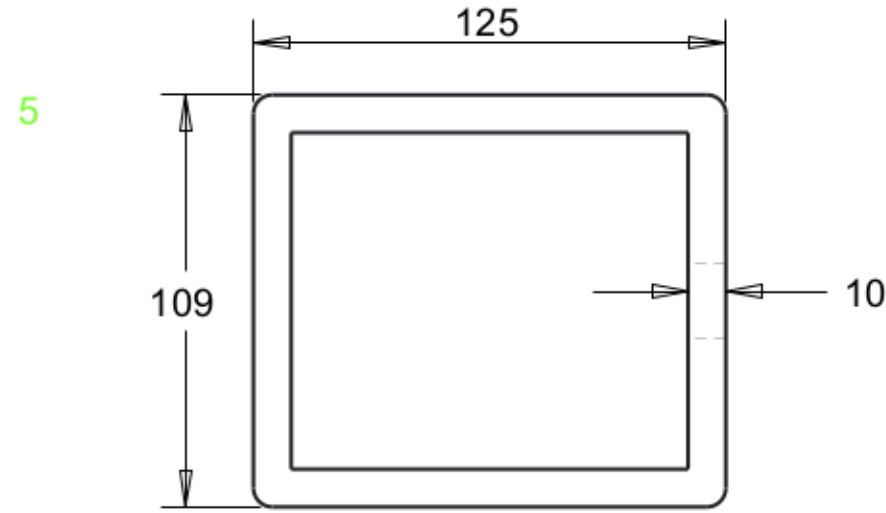
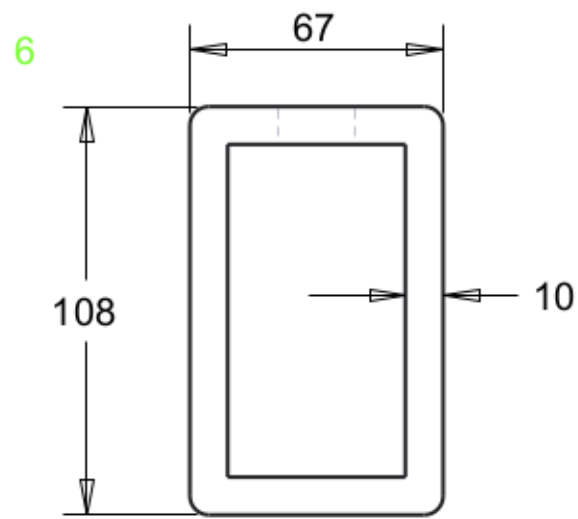
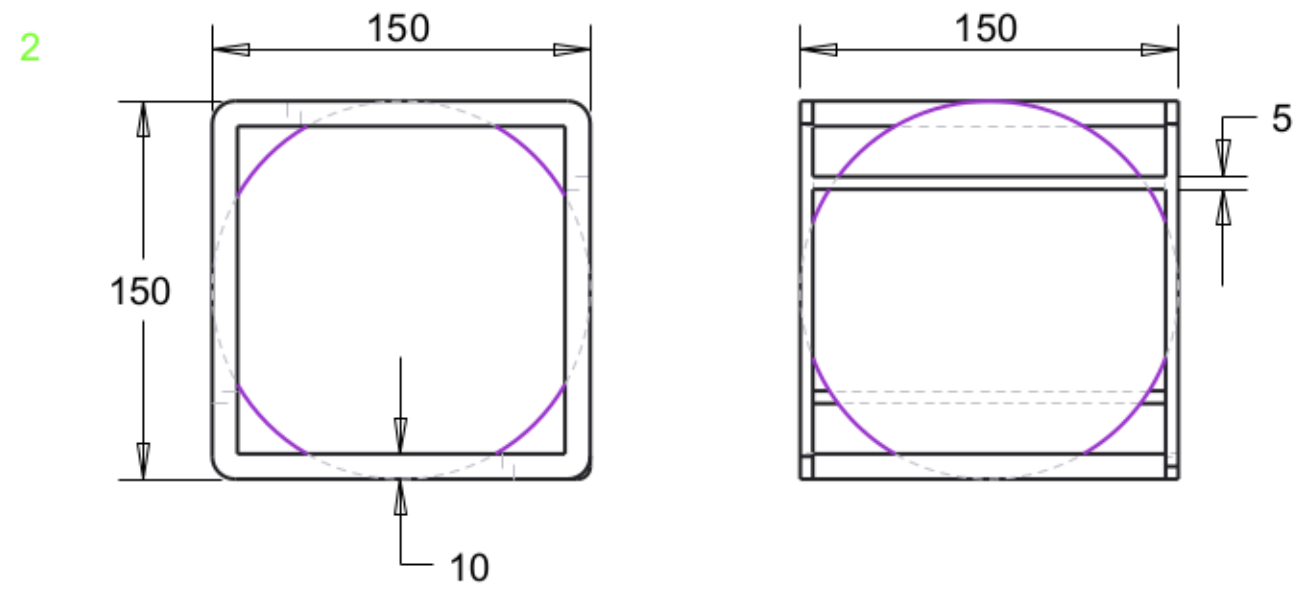


Construction		
No.	Part Name	Material
1	Fuselage Frame	10mm Balsa
2	Ball Container	5mm Balsa
3	Ball Retainer	5mm Balsa
4	Wing Mount	3mm Ply
5	Medium Hatch	3mm Balsa
6	Small Hatch	3mm Balsa
7	Motor Housing	5mm Balsa
8	"Sensor"	Polystyrene
9	Large Hatch	10mm Balsa



Continues on Drawing 7

University of Strathclyde Group A	
W14 Team A	
Fuselage 1	
Scale 1:3	Drawing 6
All Dimensions mm	