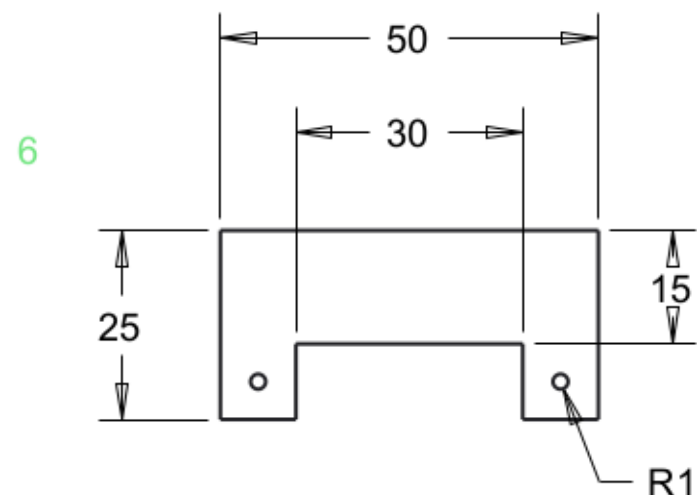
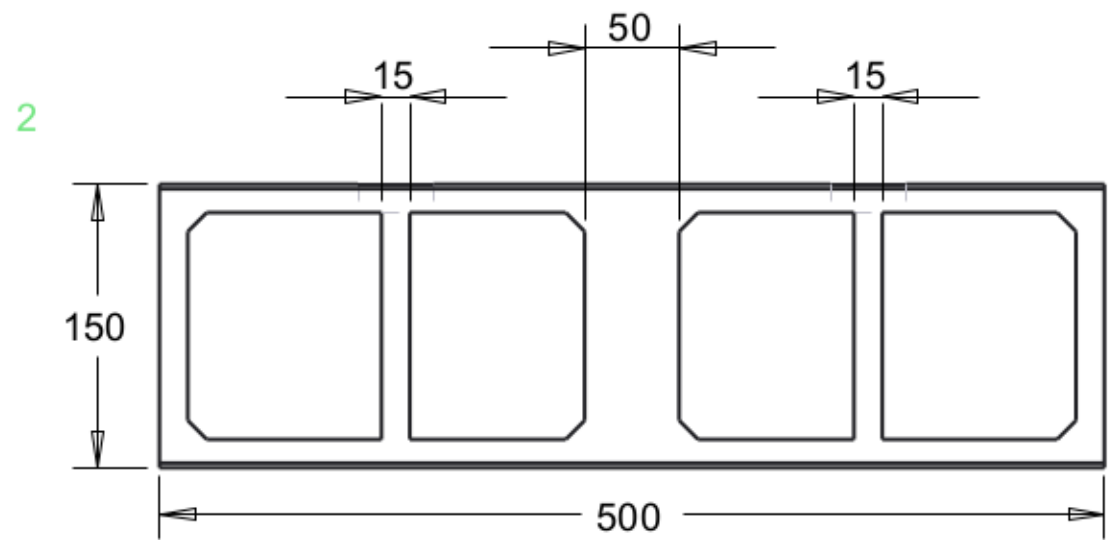
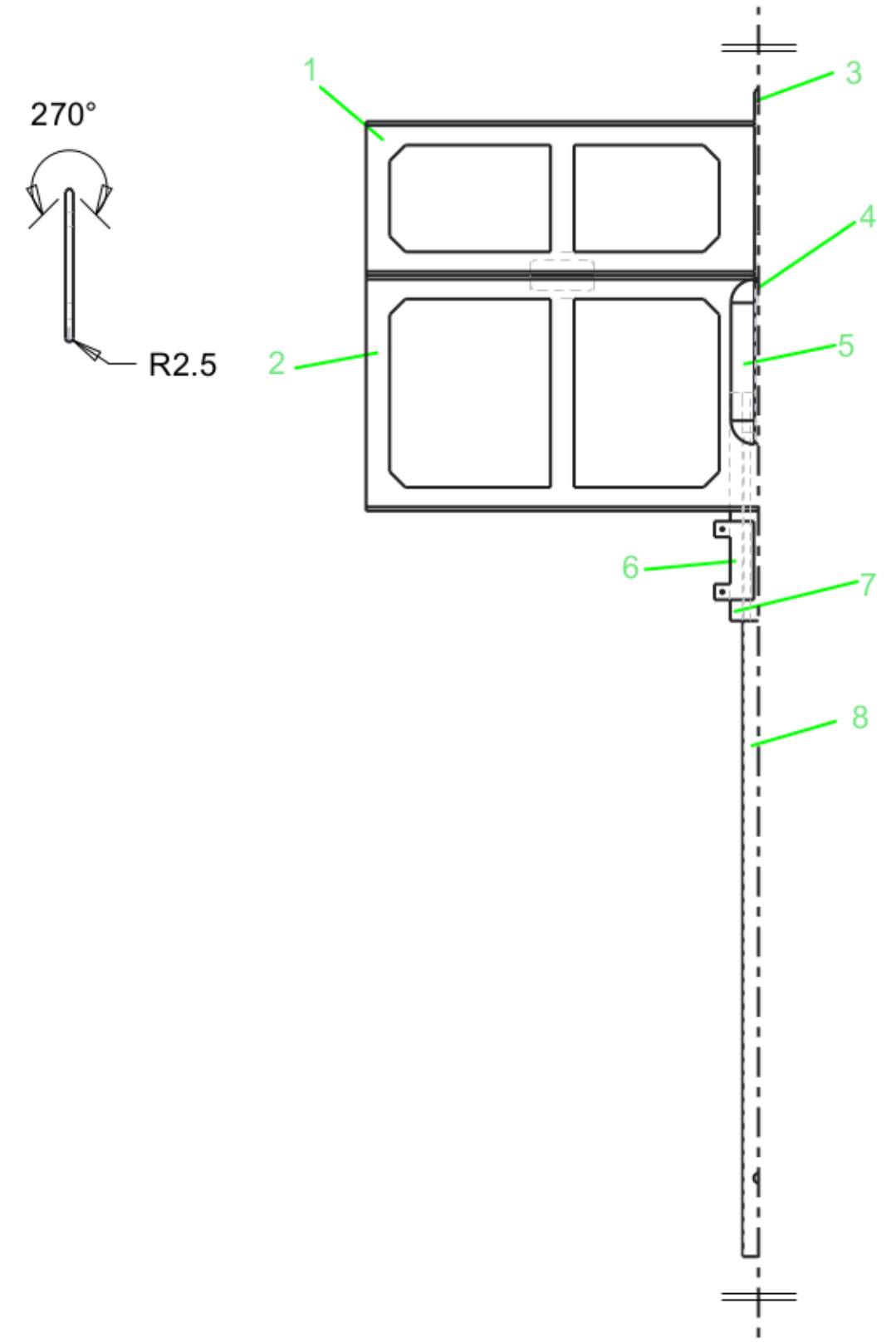
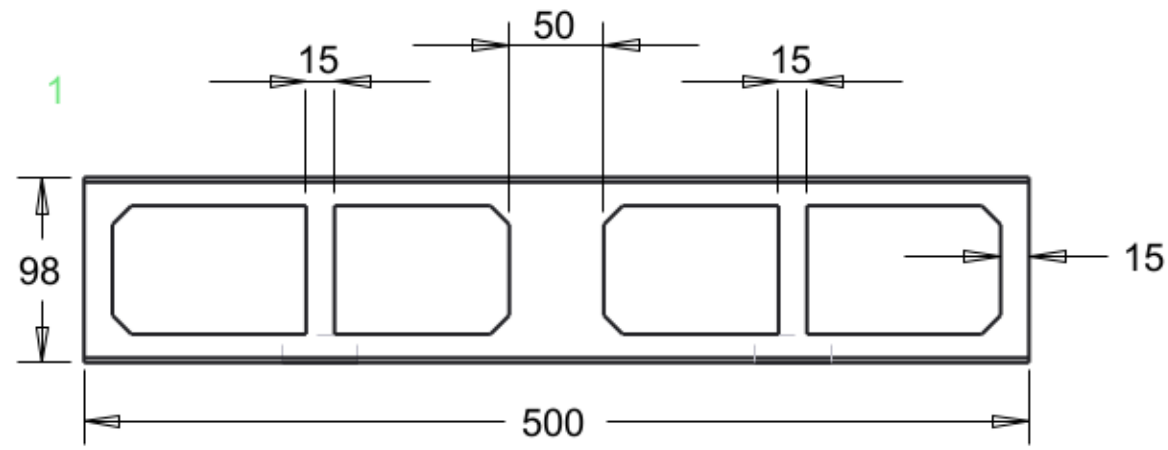


Construction		
No.	Part Name	Material
1	Elevator	5mm Balsa
2	Horizontal Stab	5mm Balsa
3	Rudder	5mm Balsa
4	Vertical Stab	5mm Balsa
5	Tail Support	Balsa
6	Servo Mount	3mm Ply
7	Tail Rod Mount	Balsa
8	Tail Rod	Carbon Fiber



SCALE 1.000

University of Strathclyde Group A	
W14 Team A	
Detailed Tailplane 1	
Scale 1:4	Drawing 4
All Dimensions mm	