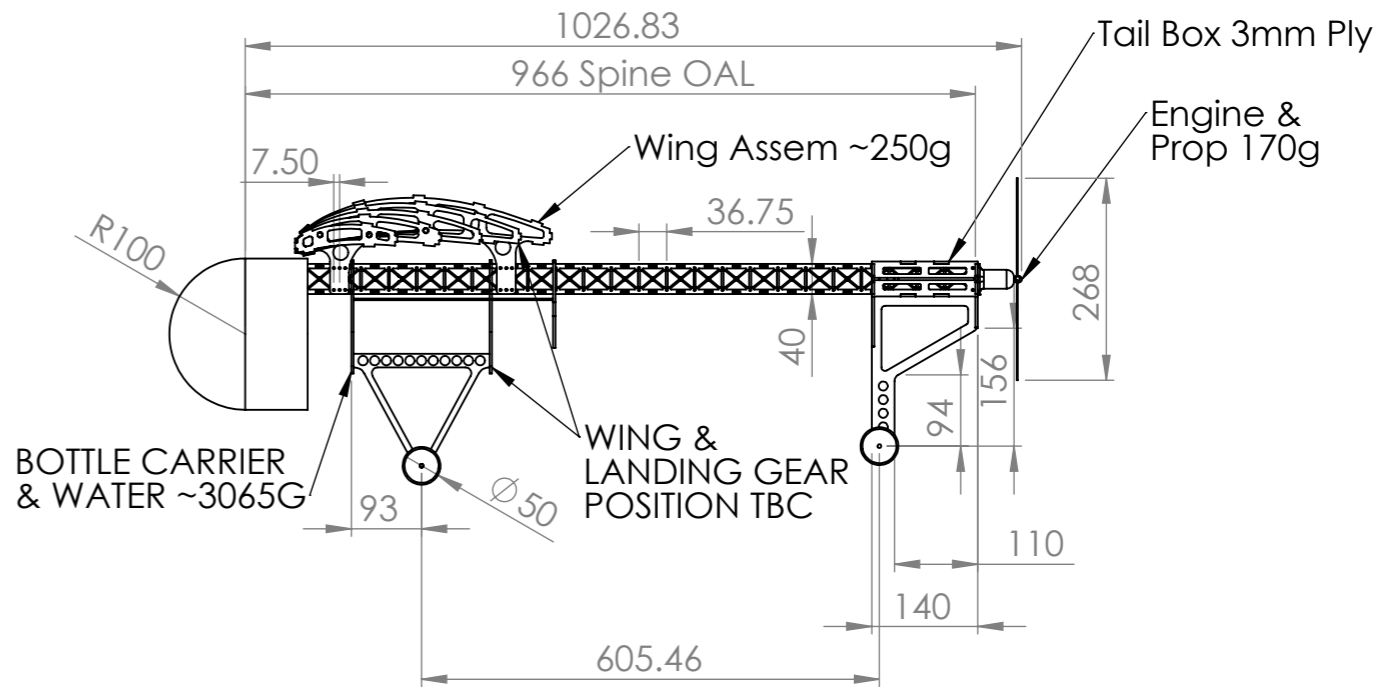


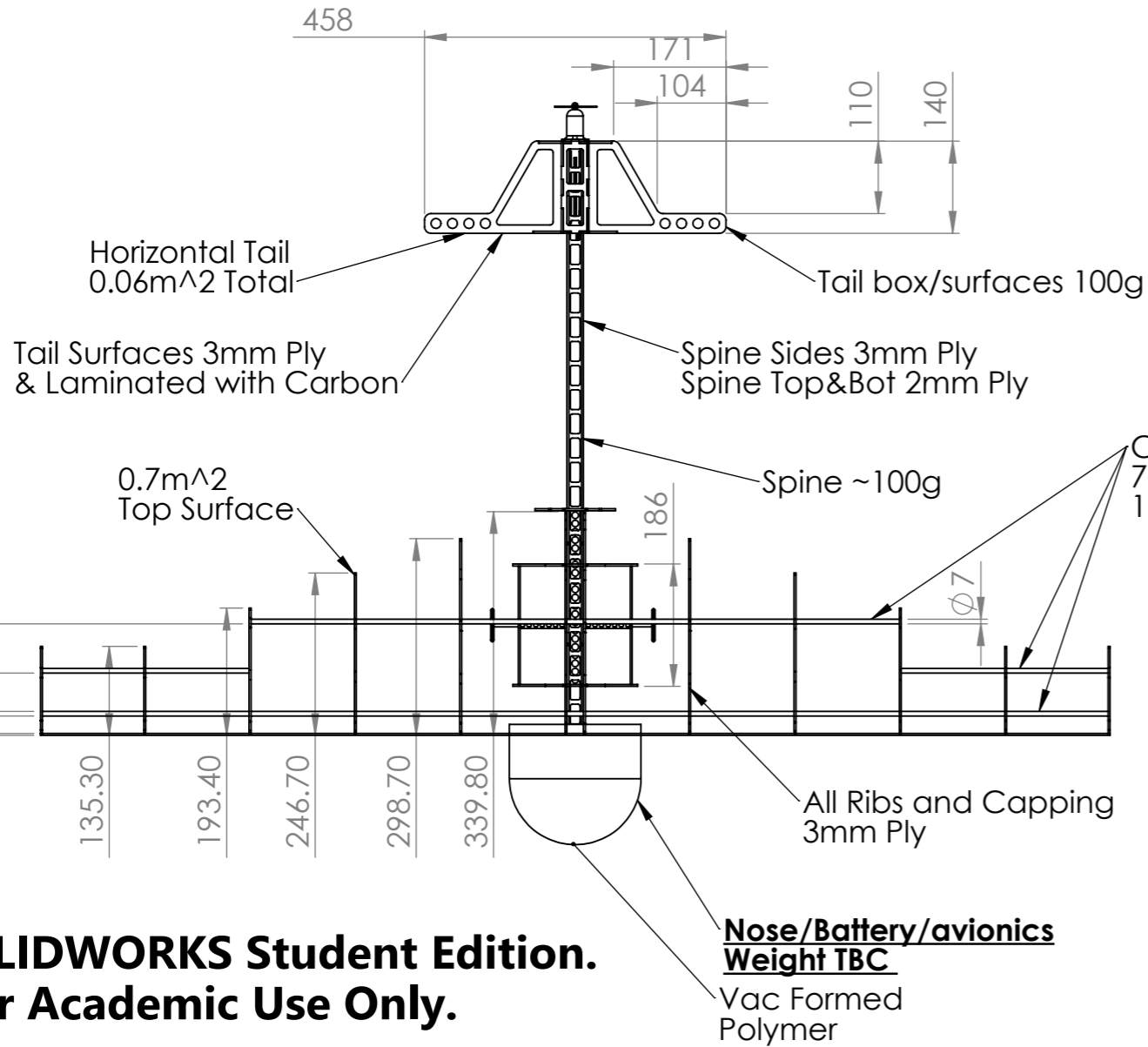
Payload Carrier
3mm Ply & Laminated
With Carbon



BOTTLE CARRIER
& WATER ~3065G

WING &
LANDING GEAR
POSITION TBC

Tail Box 3mm Ply
Engine &
Prop 170g



Horizontal Tail
0.06m² Total

Tail box/surfaces 100g

Tail Surfaces 3mm Ply
& Laminated with Carbon

Spine Sides 3mm Ply
Spine Top&Bot 2mm Ply

0.7m²
Top Surface

Spine ~100g

Carbon Dowel
7mm OD
1.2mm THK

All Ribs and Capping
3mm Ply

**Nose/Battery/avionics
Weight TBC**

Vac Formed
Polymer

NOTE;

SKIN, CONTROL SURFACES, WING RIB I BEAMS,
TRAILING CAPPINGS, AXI, NOSE CONE AND
ADHESIVES ARE YET TO BE CONSIDERED IN THE WEIGHT
ESTIMATE.

ALL COMPONENTS ARE SUBJECT TO CHANGE
FOLLOWING STABILITY TESTING.

UNLESS OTHERWISE SPECIFIED: DIMENSIONS ARE IN MILLIMETERS		FINISH:		DEBURR AND BREAK SHARP EDGES		DO NOT SCALE DRAWING		REVISION	
SURFACE FINISH:						HALLAM HEAVY LIFT			
TOLERANCES:						TITLE:			
LINEAR:						DRONE PRELIM GA			
ANGULAR:						V4 & PART DIMS			
DRAWN		SIGNATURE		DATE		DWG NO.		A3	
ADAM CARLESS				09/05/16		3.FulAssemDronePrelimGA_V			
CHK'D						SCALE 1:10		SHEET 1 OF 1	
APPV'D									
MFG									
Q.A									
				MATERIAL:					
				WEIGHT:					

**SOLIDWORKS Student Edition.
For Academic Use Only.**