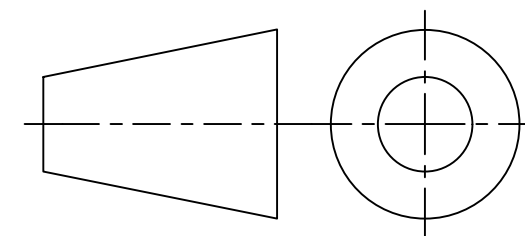
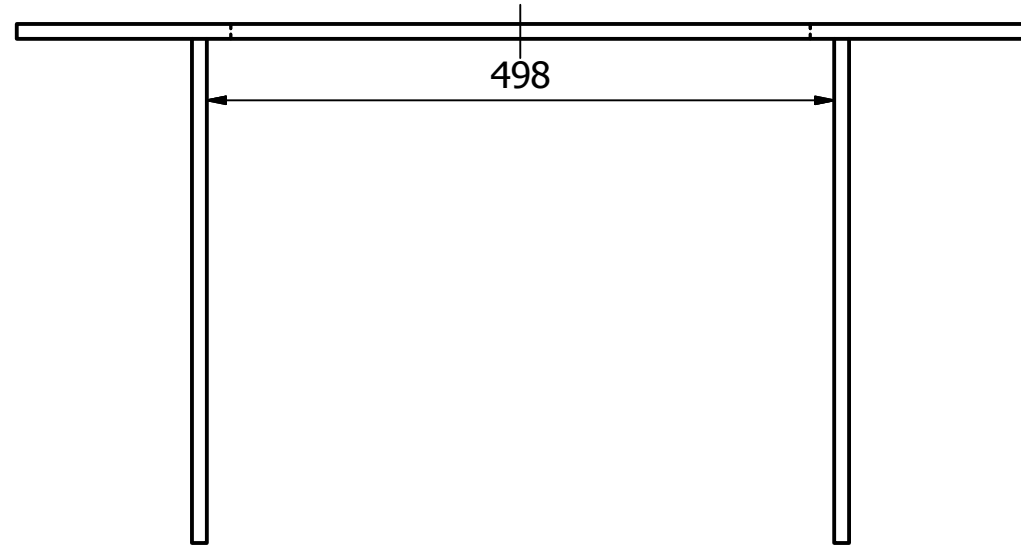
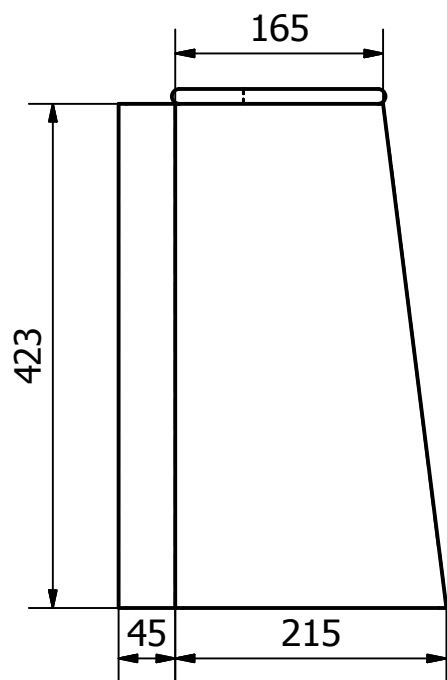
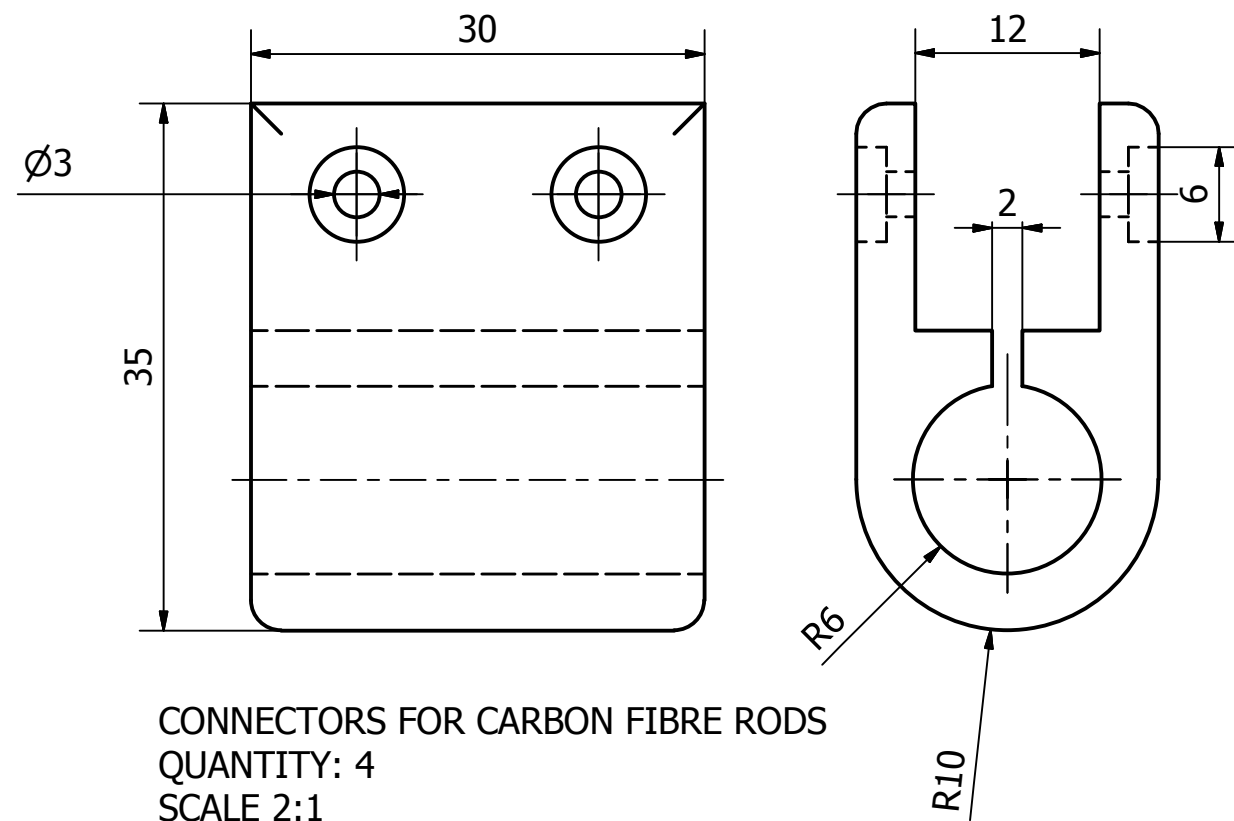
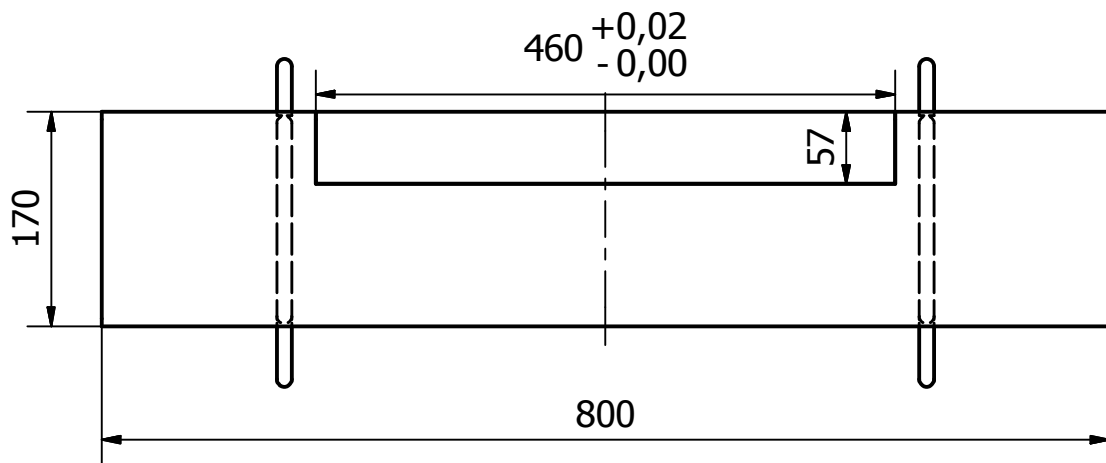


TAILPLANE ASSEMBLY
 THICKNESS 12mm
 ALL FILLETS 6mm
 SCALE 1:6



Designed by 40118431	Checked by	Approved by	Date	Date 03/05/2016
EDINBURGH NAPIER UNIVERSITY		TEAM B		
		TAILPLANE ASSEMBLY	Edition	Sheet 2/5