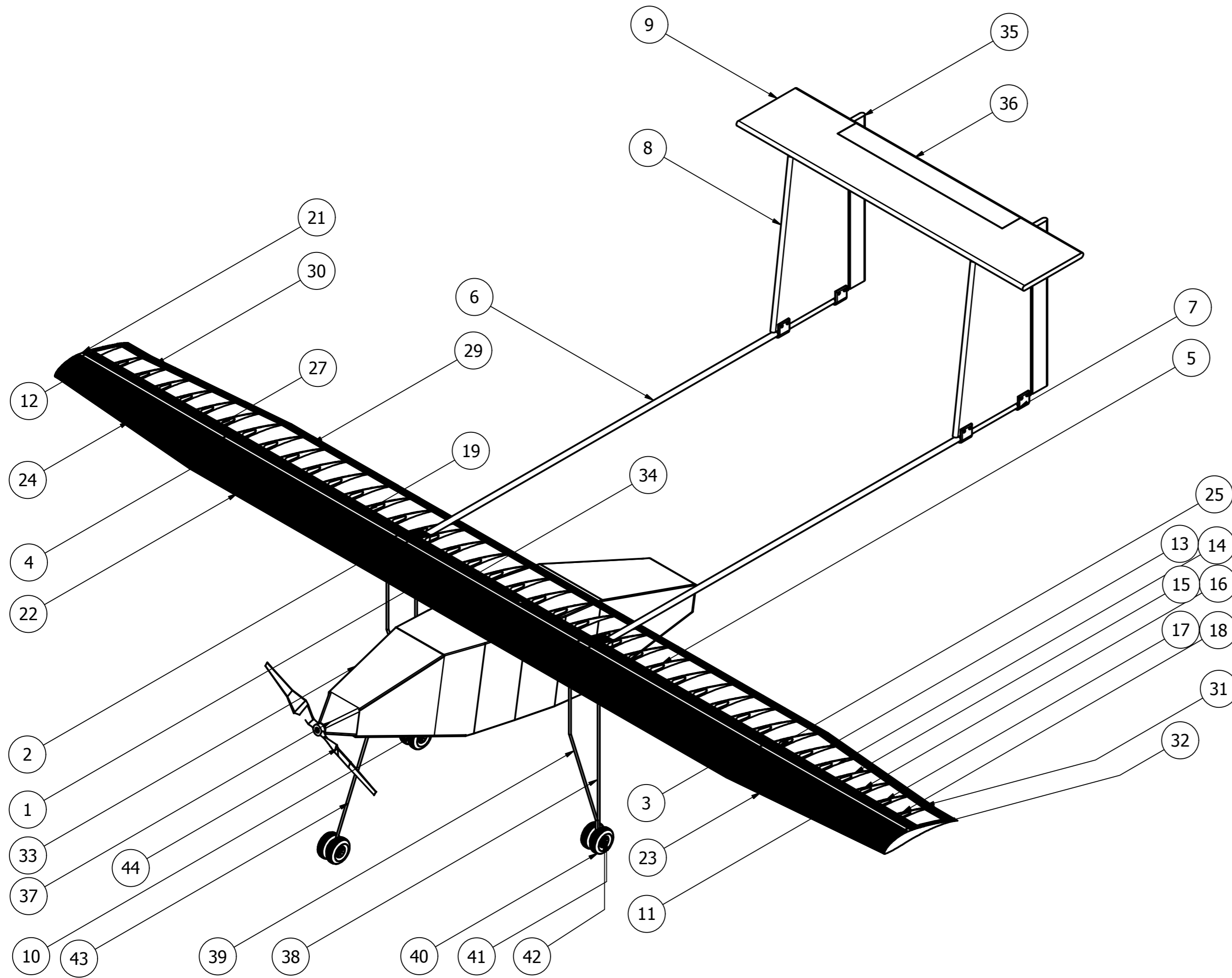


SCALE 1:12



PARTS LIST			
ITEM	QTY	PART NUMBER	MATERIAL
1	1	Blue Foam Centre	Blue Foam
2	2	Super Rib	Plywood
3	1	Blue Foam Left	Blue Foam
4	1	Blue Foam Right	Blue Foam
5	27	Rib	Balsa Wood
6	2	Carbon Fibre Rod	CFRP
7	4	Clamp	ABS Plastic
8	2	Fin	Balsa Wood
9	1	Tailplane	Balsa Wood
10	1	Fuselage	Balsa Wood
11	1	Blue Foam Taper Left	Blue Foam
12	1	Blue Foam Taper Right	Blue Foam
13	2	Taper Rib 1	Balsa Wood
14	2	Taper Rib 2	Balsa Wood
15	2	Taper Rib 3	Balsa Wood
16	2	Taper Rib 4	Balsa Wood
17	2	Taper Rib 5	Balsa Wood
18	2	Taper Rib 6	Balsa Wood
19	1	Centre Top Spar	Sprouse
20	1	Centre Bottom Spar	Sprouse
21	2	End Rib	Balsa Wood
22	1	Leading Edge	Balsa Wood
23	1	Leading Edge Left	Balsa Wood
24	1	Leading Edge Right	Balsa Wood
25	1	Left Top Spar	Sprouse
26	1	Left Bottom Spar	Sprouse
27	1	Right Top Spar	Sprouse
28	1	Right Bottom Spar	Sprouse
29	1	Wing Wrap Centre	Plywood
30	1	Wing Wrap Right	Plywood
31	1	Wing Wrap Left	Plywood
32	1	Wing Wrap Far-Left	Plywood
33	1	Fuselage Lid	Balsa Wood
34	2	Screw	Nylon
35	2	Fins	Balsa Wood
36	1	Elevator	Balsa Wood
37	1	Plane Nose	ABS Plastic
38	2	Wheel_Cable_1	Carbon Steel
39	2	Wheel_Cable_2	Carbon Steel
40	6	Wheel_Rubber	Rubber
41	6	Wheel_Centre	ABS Plastic
42	3	Wheel_Axis	Carbon Steel
43	1	Front_Wheel_Cable	Carbon Steel
44	1	Propellor	Nylon 6/6
45	1	Foam_Ball	Polystyrene

Designed by 40118431	Checked by	Approved by	Date	Date 05/05/2016
EDINBURGH NAPIER UNIVERSITY		TEAM B		
		ASSEMBLY DRAWING	Edition	Sheet 5/5