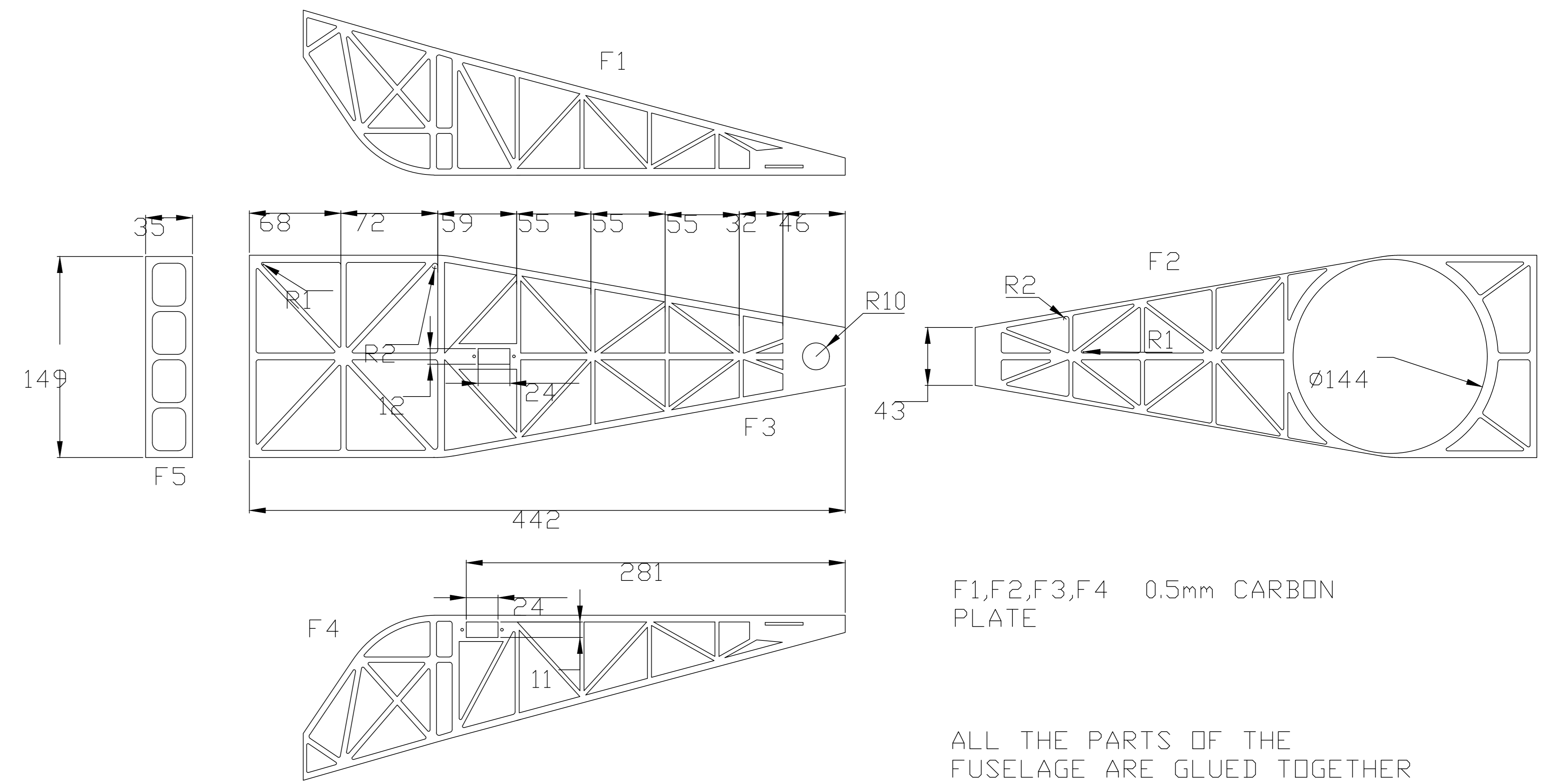
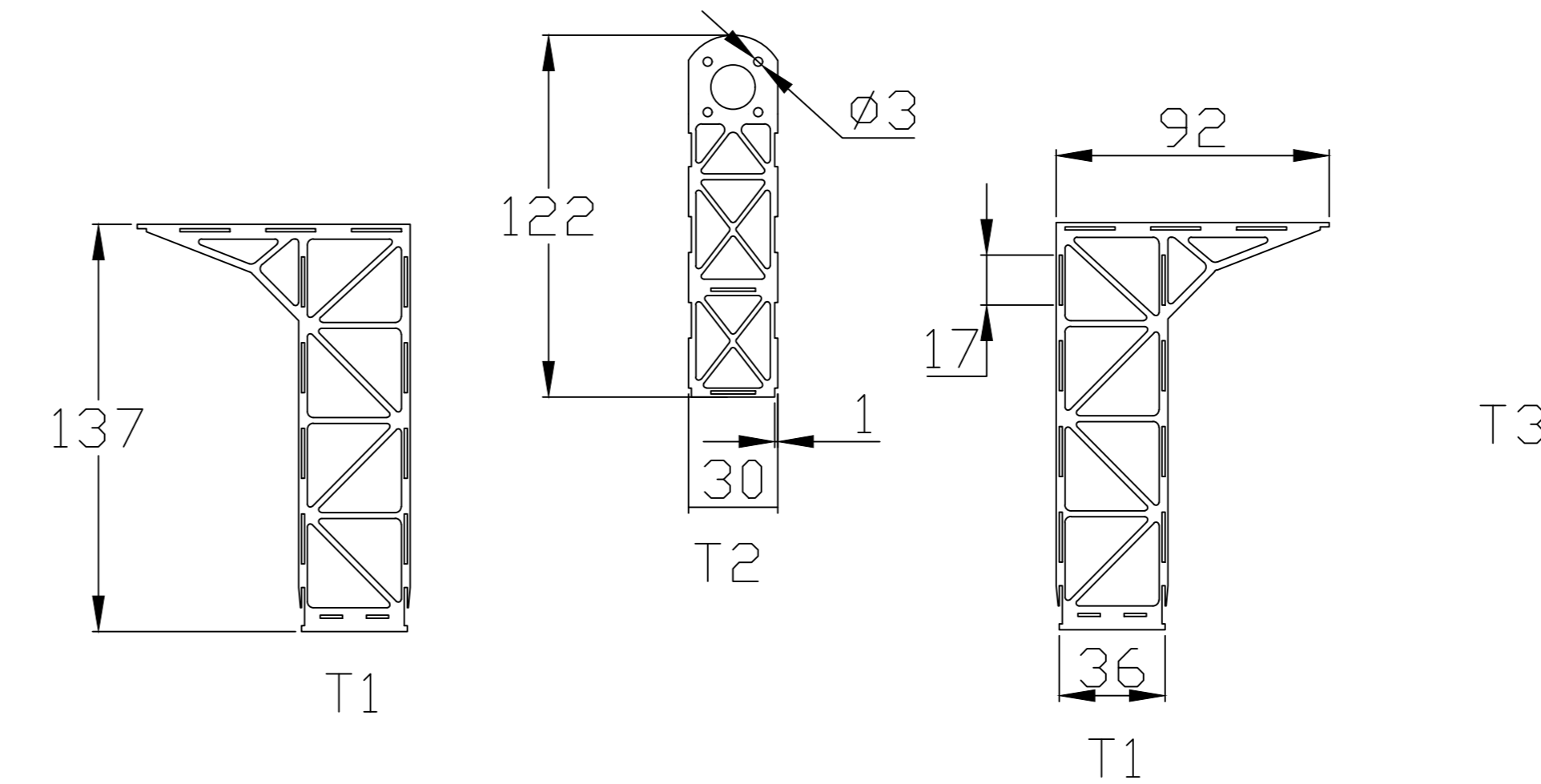


THE CONNECTION OF THE WING AND THE FUSELAGE IS PLUG

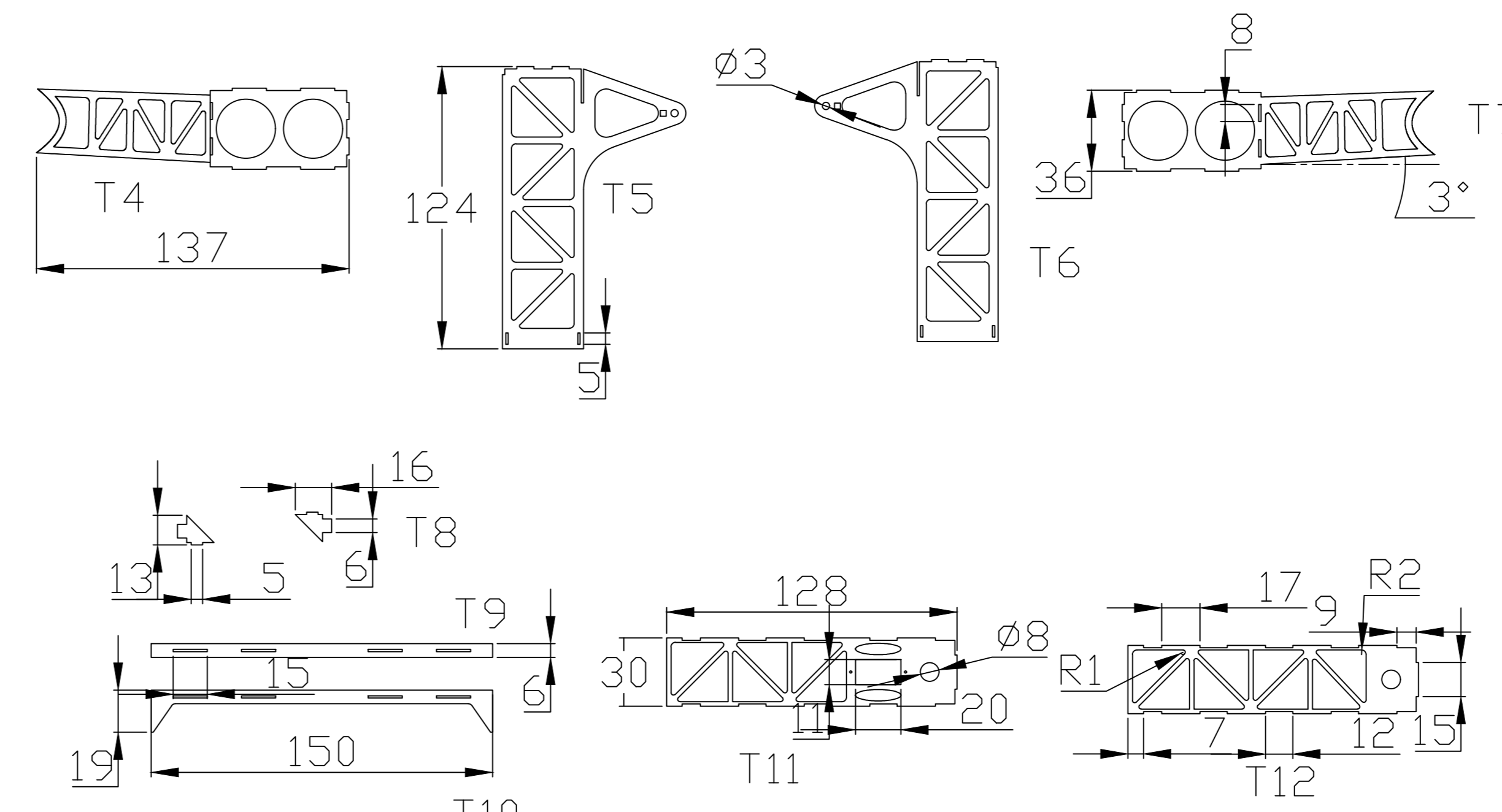


F1,F2,F3,F4 0.5mm CARBON PLATE

ALL THE PARTS OF THE FUSELAGE ARE GLUED TOGETHER WITH THE EPOXY RESIN E51&W93.THERE IS CARBON FIBER BINDING THE THREE PLATES. THE SKIN IS TRANSPARENT FILM.



T1 TO T12 1mm CARBON PLATE



ALL THE PARTS OF THE NOSE ARE GLUED TOGETHER WITH THE EPOXY RESIN E51&W93.THERE IS CARBON FIBER BINDING THE THREE PLATES. THE SKIN IS TRANSPARENT FILM.

School	Beihang University
Team	Beihang Aeromodelling Team
Team Number	W03
Title	Detail Drawings
Scale	1:2
Sheet	3 of 4