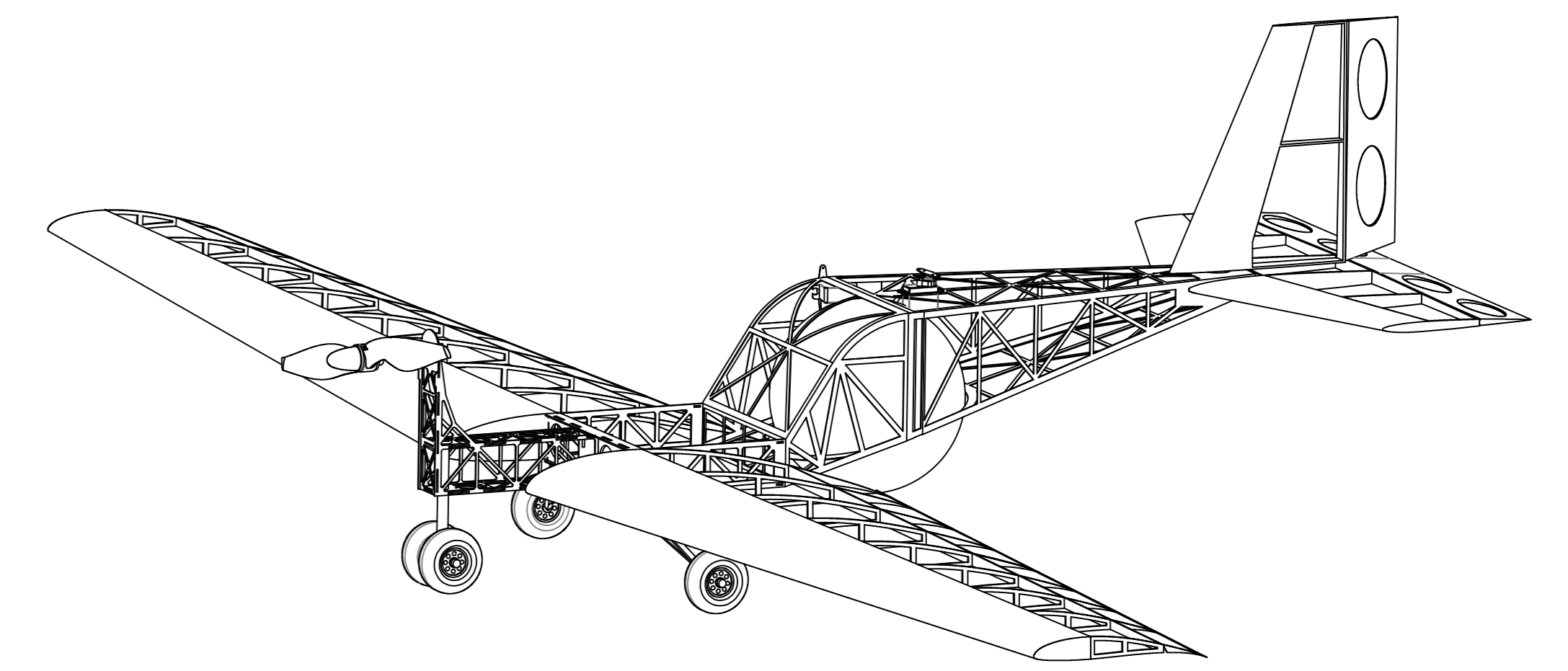
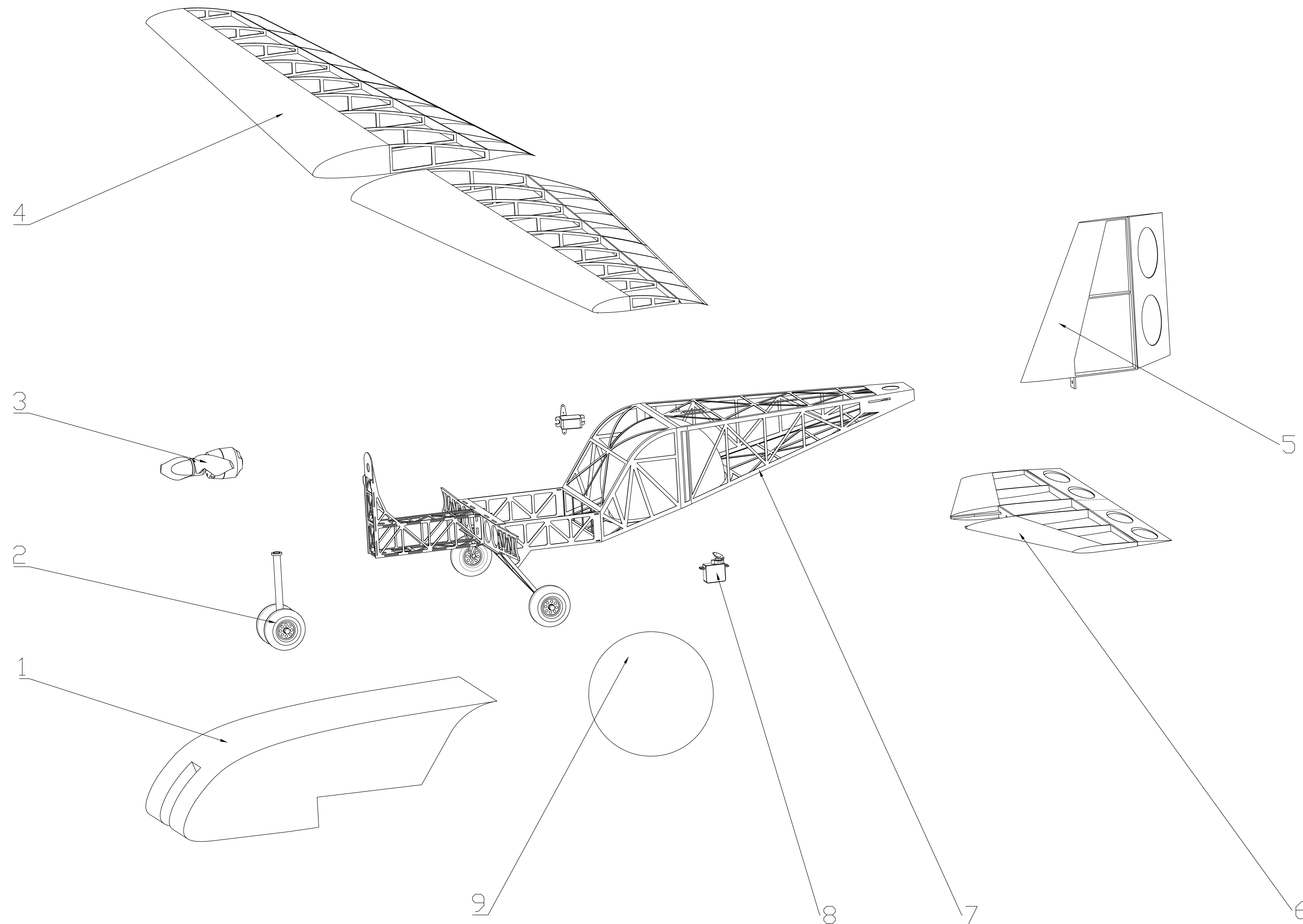


THE PLANE WITH WATER TANK
(SCALE 1:4)



THE PLANE WITHOUT WATER TANK
(SCALE 1:4)



9	SENSOR	1
8	SERVO	5
7	FUSELAGE	1
6	HORIZONTAL TAIL	1
5	VERTICAL TAIL	1
4	WING	2
3	MOTOR AND PROPELLER	1
2	NOSE LANDING GEAR	1
1	WATER TANK	1
NUMBER	NAME OF PART	QUANTITY

School	Beihang University
Team	Beihang Aeromodelling Team
Team Number	W03
Title	Detail Drawings
Scale	1:2
Sheet	2 of 4