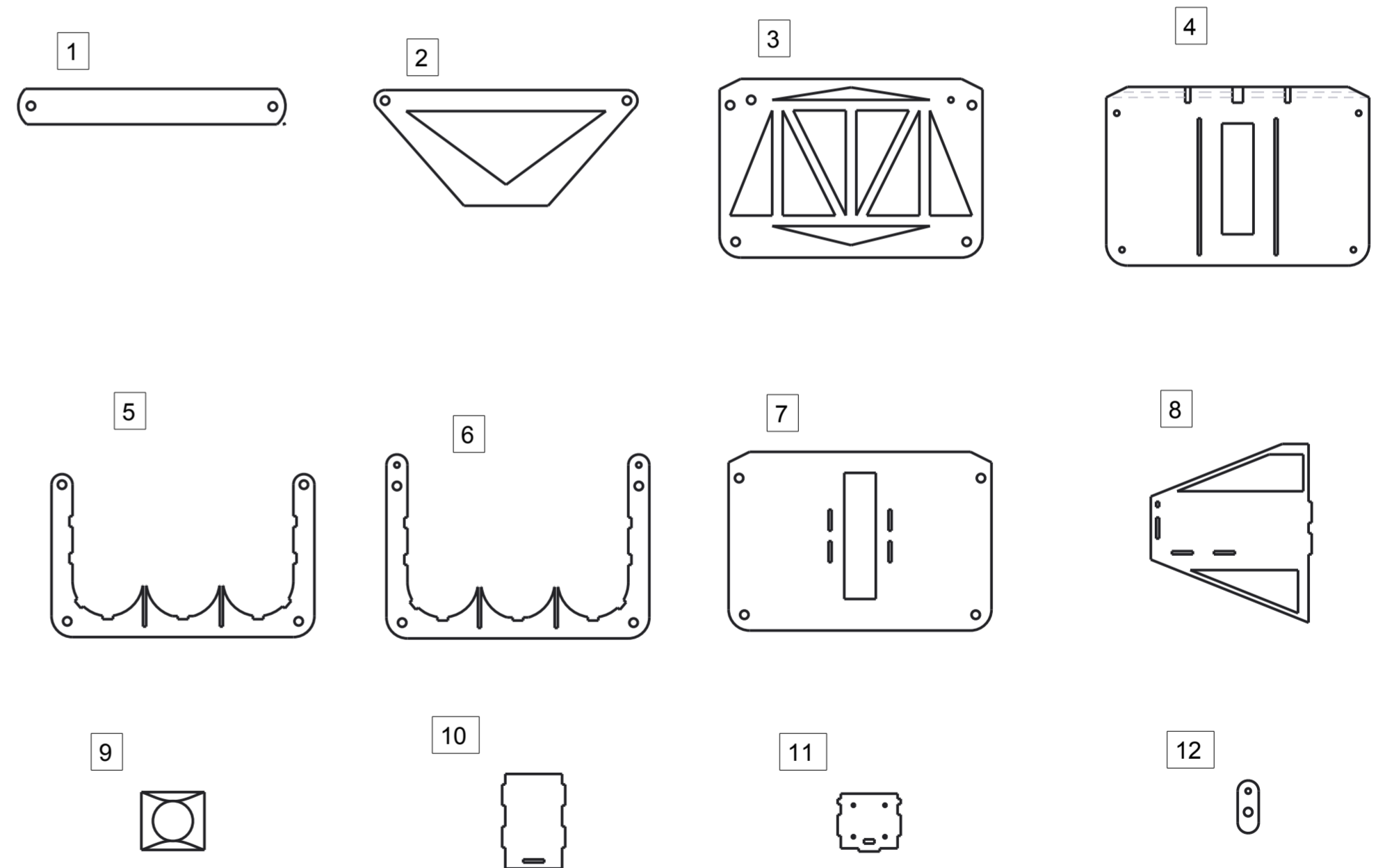
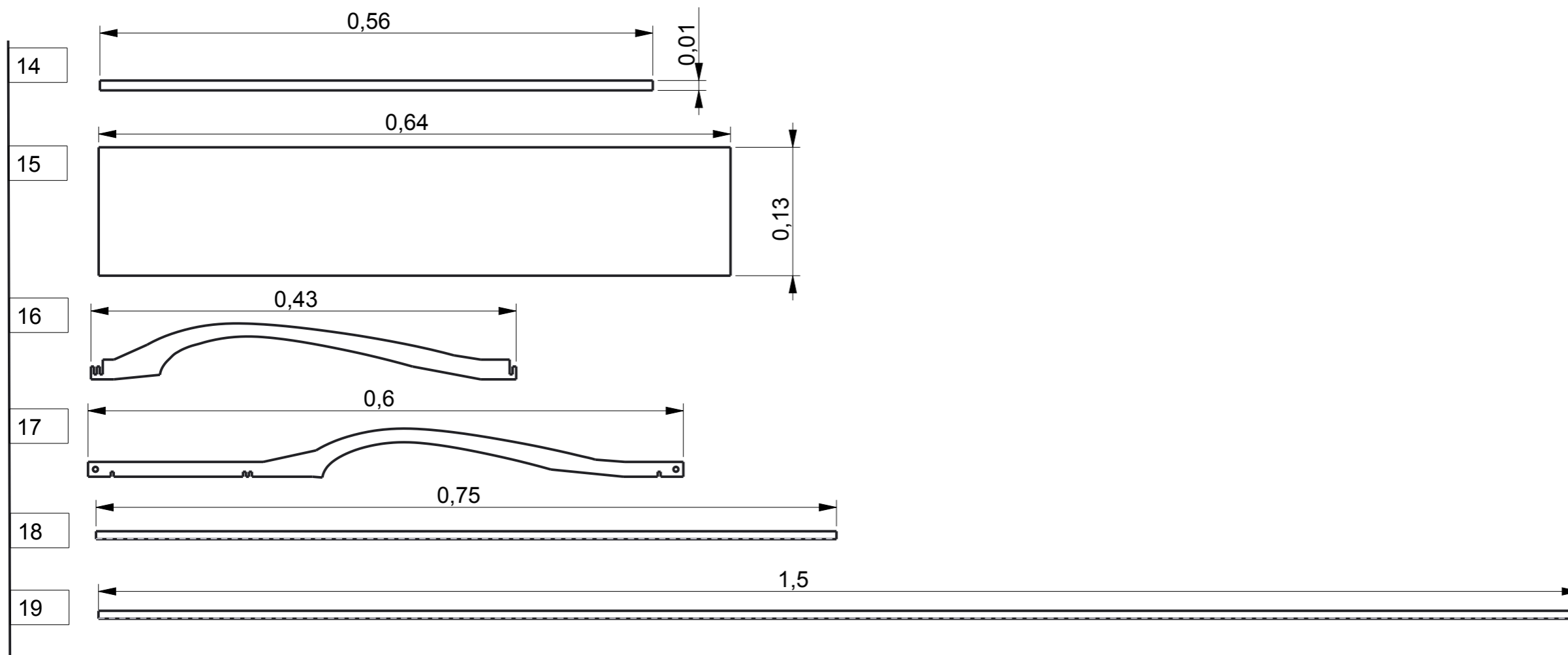
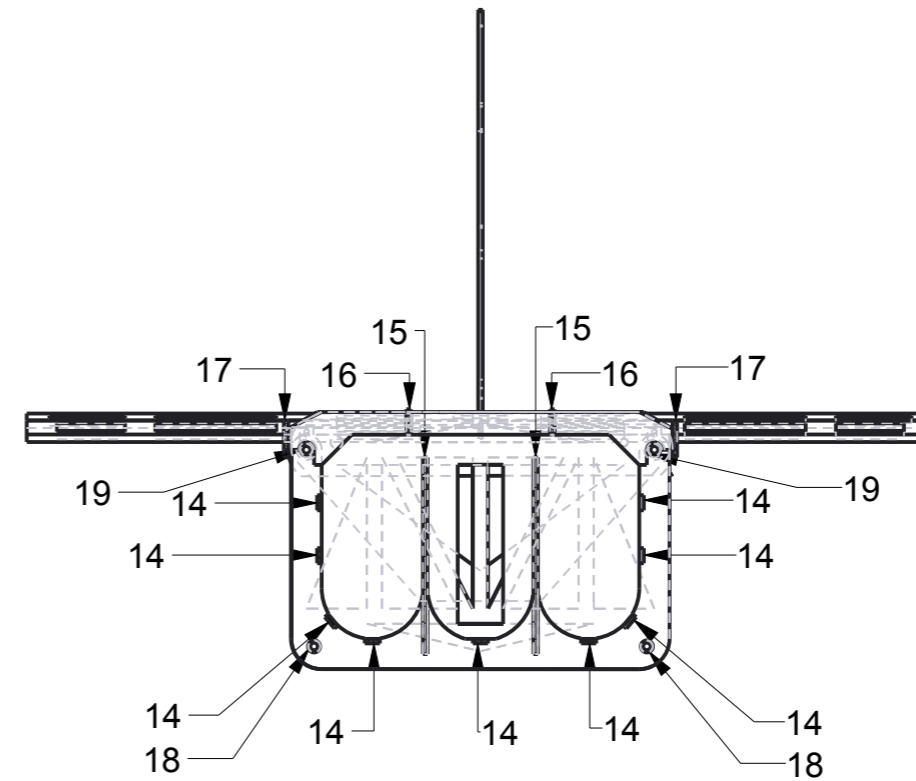


part number	part name	postion from the datum (m)	material	thickness (mm)
1	Tail 1	1.138	light ply	3
2	tail 2	1.035	light ply	3
3	tail boom holder	0.932	light ply	3
3	tail boom holder	0.844	light ply	3
4	foam plate	0.794	blu-core foam	40
4	foam plate	0.191	blu-core foam	40
5	cargo rib	0.791	light ply	3
5	cargo rib	0.371	light ply	3
5	cargo rib	0.231	light ply	3
6	cargo rib & wing holder	0.653	light ply	3
6	cargo rib & wing holder	0.511	light ply	3
7	power pod backing	0.188	light ply	3
8	power pod side x2	0.038	light ply	3
9	nose cone	0.014	blu-core foam	40
10	power pod bottom	0.04	light ply	3
11	power pod front	0.04	light ply	3
12	wing holder	0.508	light ply	3
12	wing holder	0.517	light ply	3
12	wing holder	0.648	light ply	3
12	wing holder	0.658	light ply	3
13	lid cross beam	0.234	light ply	3
13	lid cross beam	0.367	light ply	3
13	lid cross beam	0.373	light ply	3
13	lid cross beam	0.788	light ply	3
/	tailplane & fin	1.56	balsa	5
/	forward landing gear	0.21	various	various
/	rear landing gear	0.53	various	various

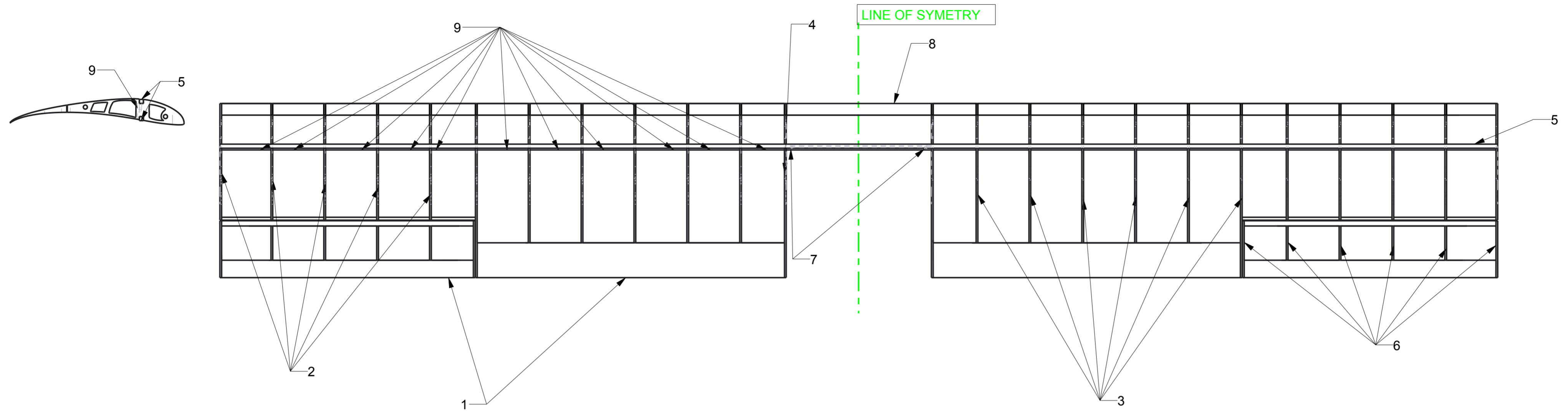


Cross section of fueselage

Part No.	Part name	material	thickness (mm)
14	ball runners	light ply	3
15	ball dividers	balsa	3
16	inner lid ribs	light ply	3
17	outer lid ribs	light ply	3
18	bottom carbon rods	carbon	7 inner 8 outer
19	top carbon rods	carbon	7 inner 8 outer



Wing Top view

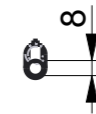
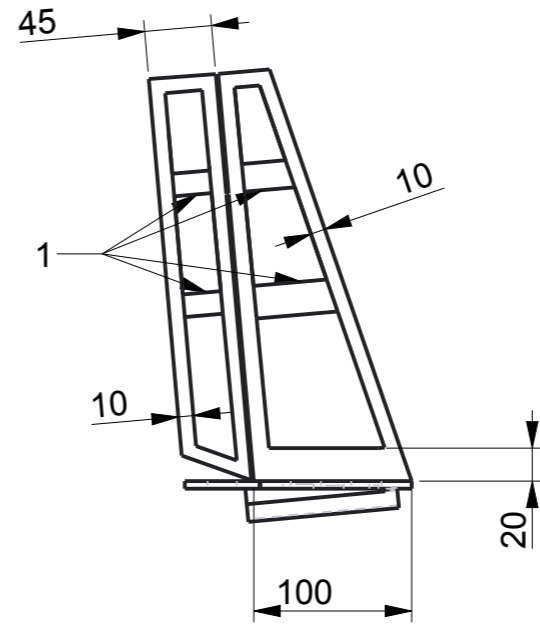
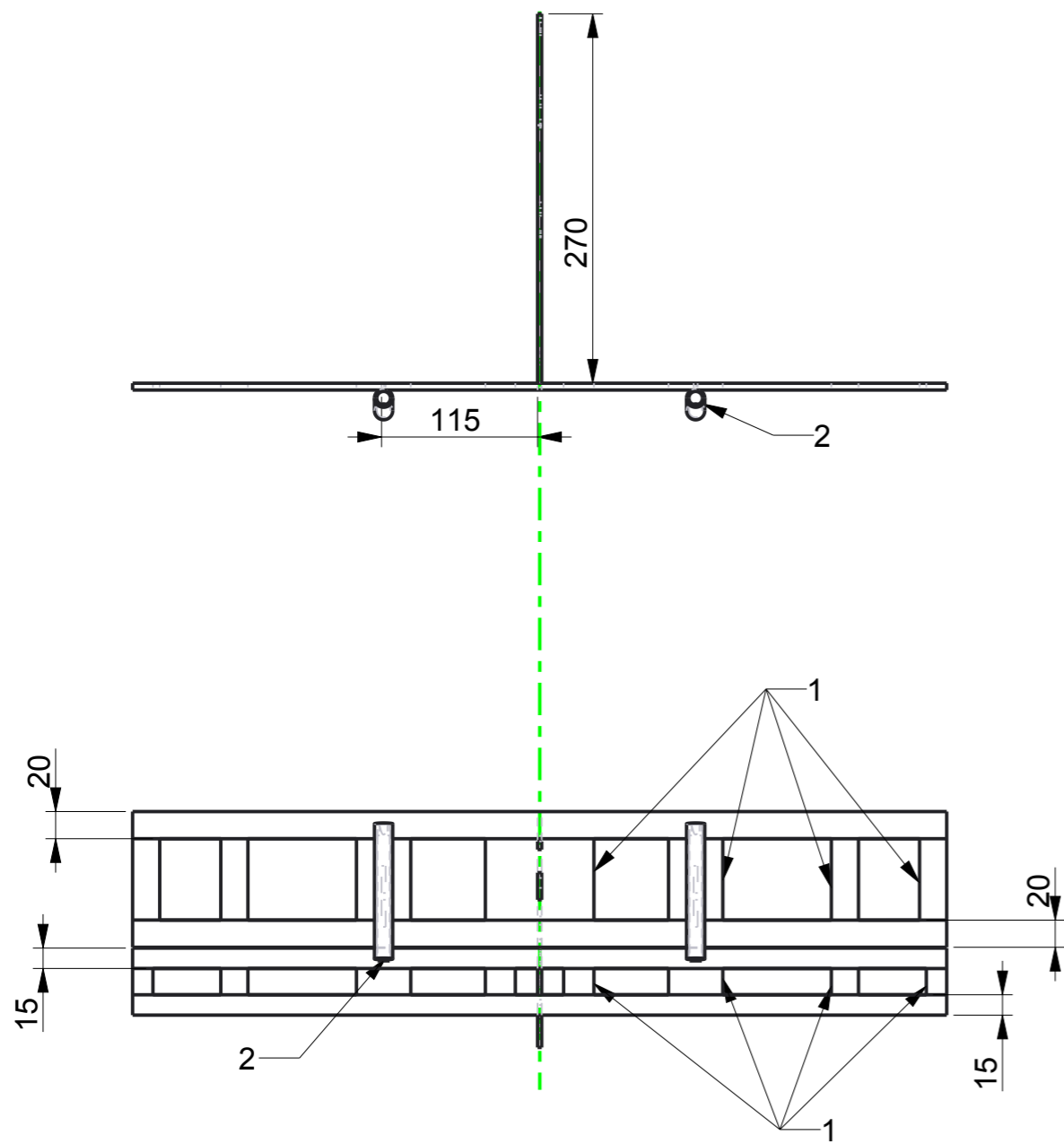


Part No.	Part name	material	thickness
1	trailing edges	balsa	various
2	short wing rib	balsa	3mm
3	medium rib	balsa	3mm
4	full rib	light ply	3mm
5	spar	cyparus	7mm
6	aileron rib	balsa	3mm
7	hole for bolt	na	3mm diam
8	leading edge	balsa	2x 9mm
9	webbing	balsa	3mm



fin and tailplane assembly

fin area	17550mm ²
rudder area	12200mm ²



Part No.	Part Name	Material	Thickness
1	horizontal grain balsa sheeting	balsa	5mm
2	setting angle mount	balsa	various

