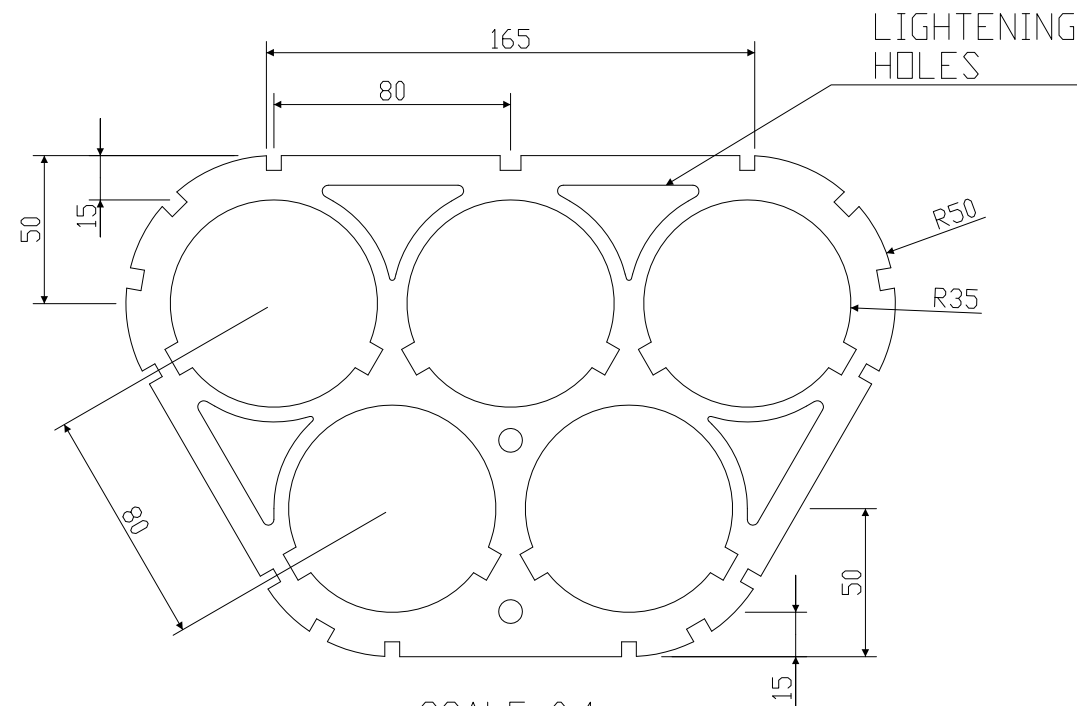
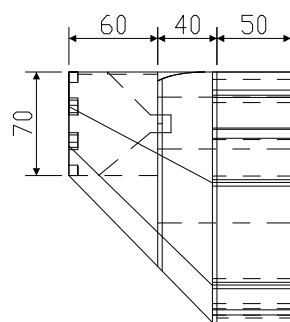


SECTION X-X
SCALE 0.4



SCALE 0.4



#	PART	QUANTITY	MATERIAL
1	CYPARIS STRINGER	8	5X5MM CYPARIS
2	BALSA STRINGER	6	5X7MM BALSA
3	BALSA RUNNERS	10	5X10MM BALSA
4	BALL STOPPERS	1	3MM BALSA
5	FUSELAGE FORMER	6	3MM LITEPLY
6	U/C PLATE	1	5MM MARINE PLY
7	FUSELAGE TALL FORMER	1	3MM MARINE PLY
8	T/P BOTTOM PLATE	1	3MM BALSA
9	WING MOUNT PLATE	1	5MM MARINE PLY
10	T/P TOP PLATE	1	5MM BALSA
11	TOP BALSA STRINGER	1	5X7MM BALSA

FUSELAGE FULL ASSEMBLY

BMFA QUANTITY CHALLENGE

STRATHCLYDE UNI - GROUP C **Q12**

22/04/2016

PAPER SIZE: A3

SCALE: 0.2

PAGE 3/3

UNLESS OTHERWISE STATED
ALL DIMENSIONS IN MM
PARTS ATTACHED WITH SUPERGLUE

TOLERANCES
± 0.5MM

