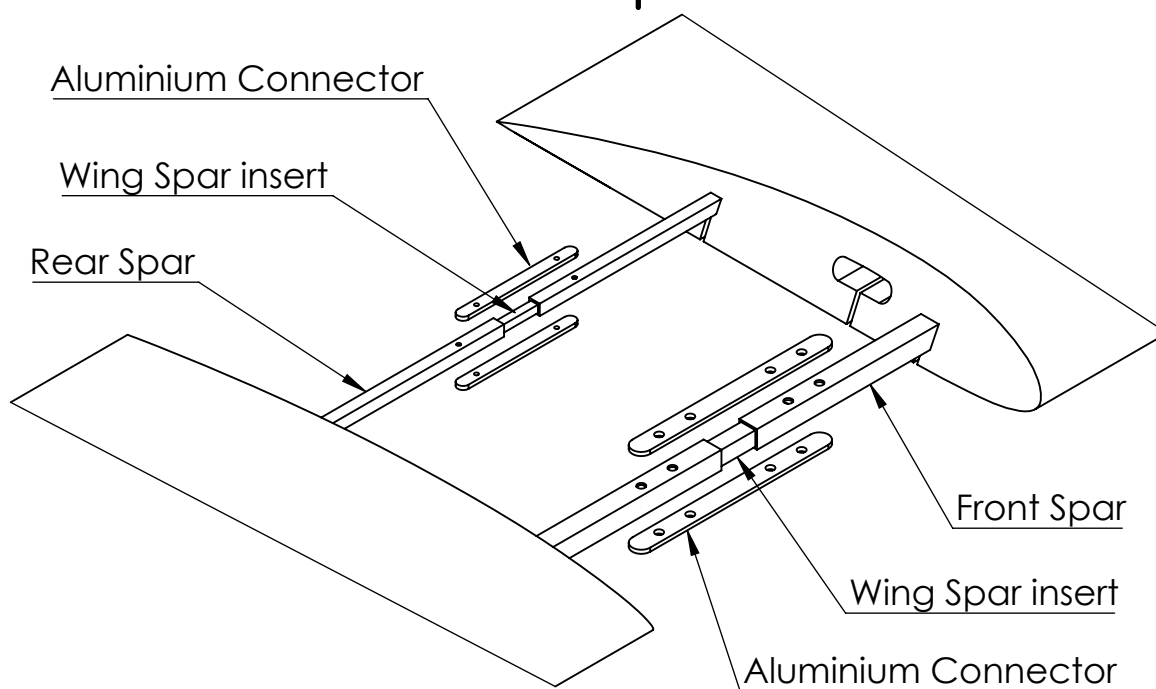
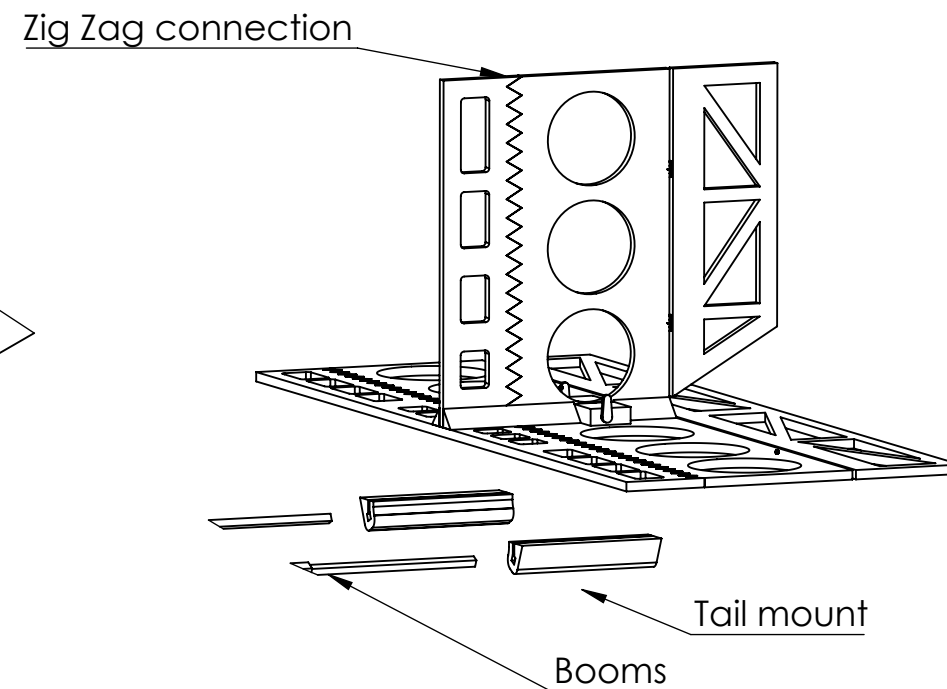


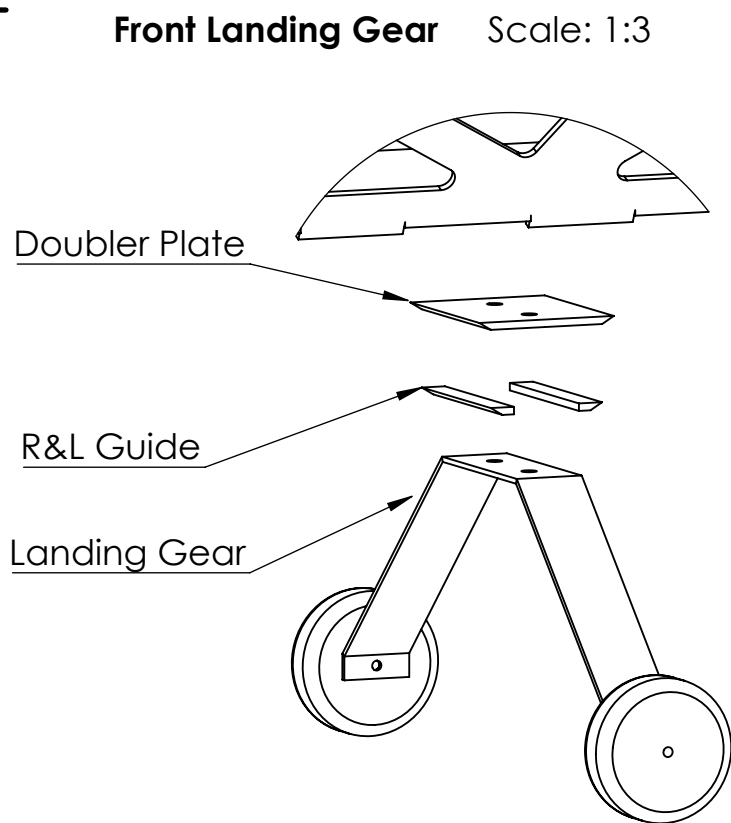
Motor Assembly Scale: 1:2



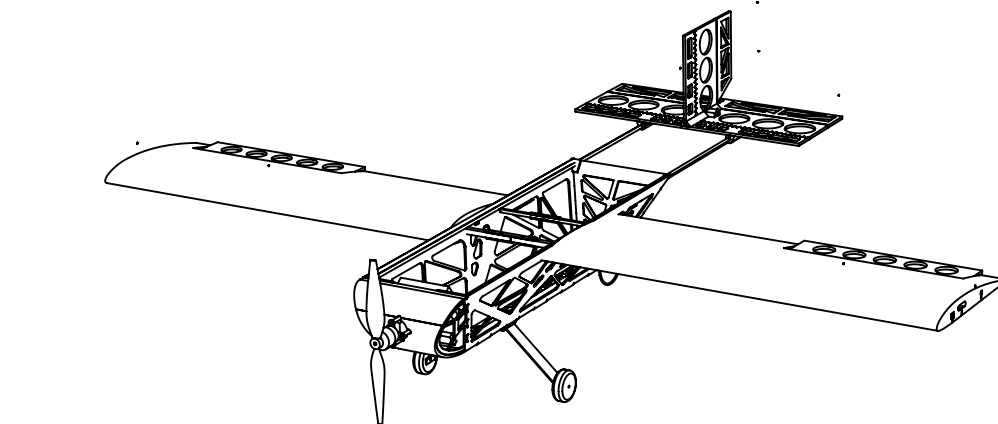
Wing connection Scale: 1:3



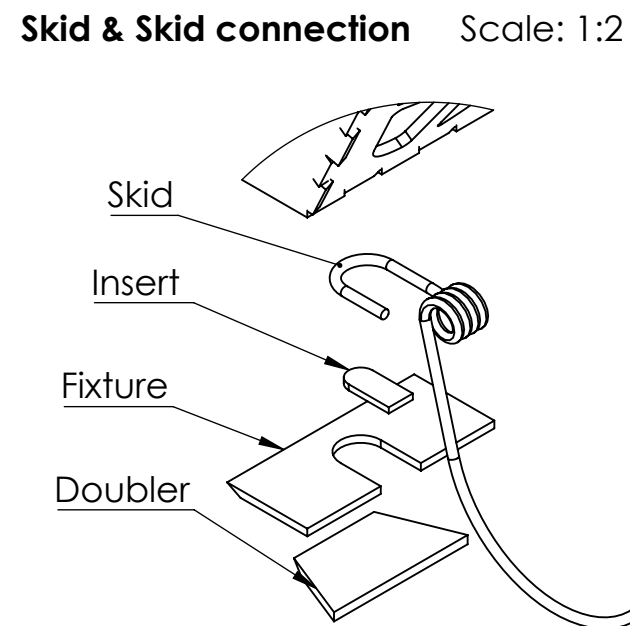
Tail & Tail connection Scale: 1:4



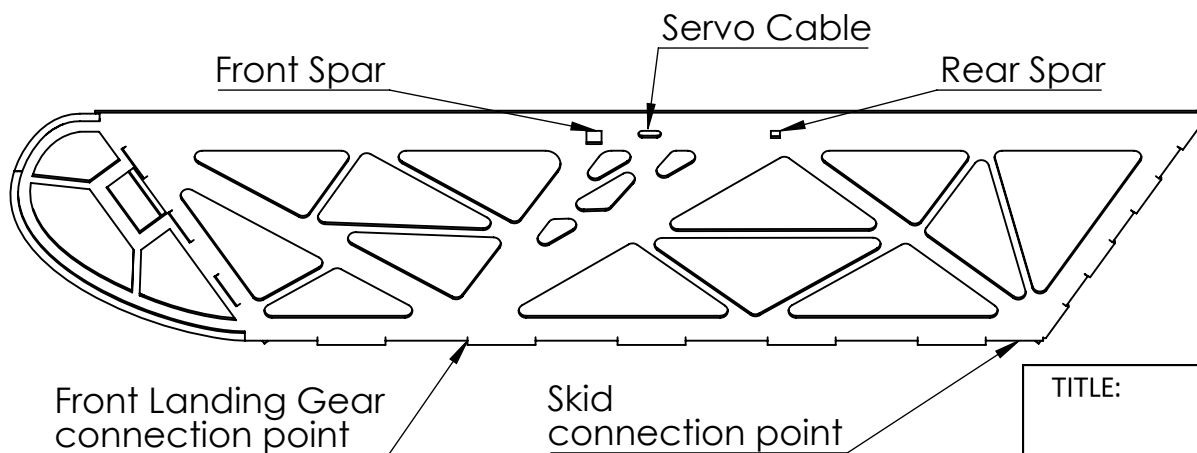
Front Landing Gear Scale: 1:3





Fuselage Truss Structure Scale: 1:5



Skid & Skid connection Scale: 1:2



**SOLIDWORKS Student Edition.
For Academic Use Only.**

TITLE:		Detailed Views		
		(All Dimensions in mm)		
DRAWN BY Thomas Bach			DRAWN TO BS 8888	
SCALE 1:12	SHEET NO 3 OF 3	DATE 07/05/2016	TOLERANCE ISO 2768-m	REFERENCE NO Q-11 Queens 1