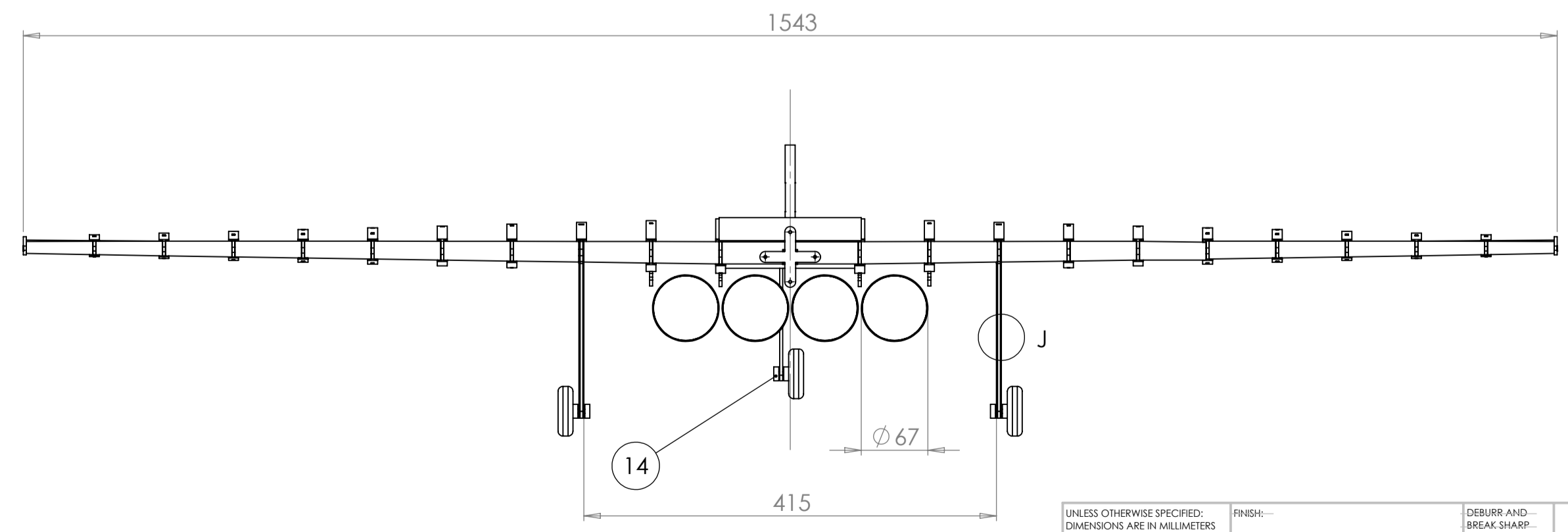
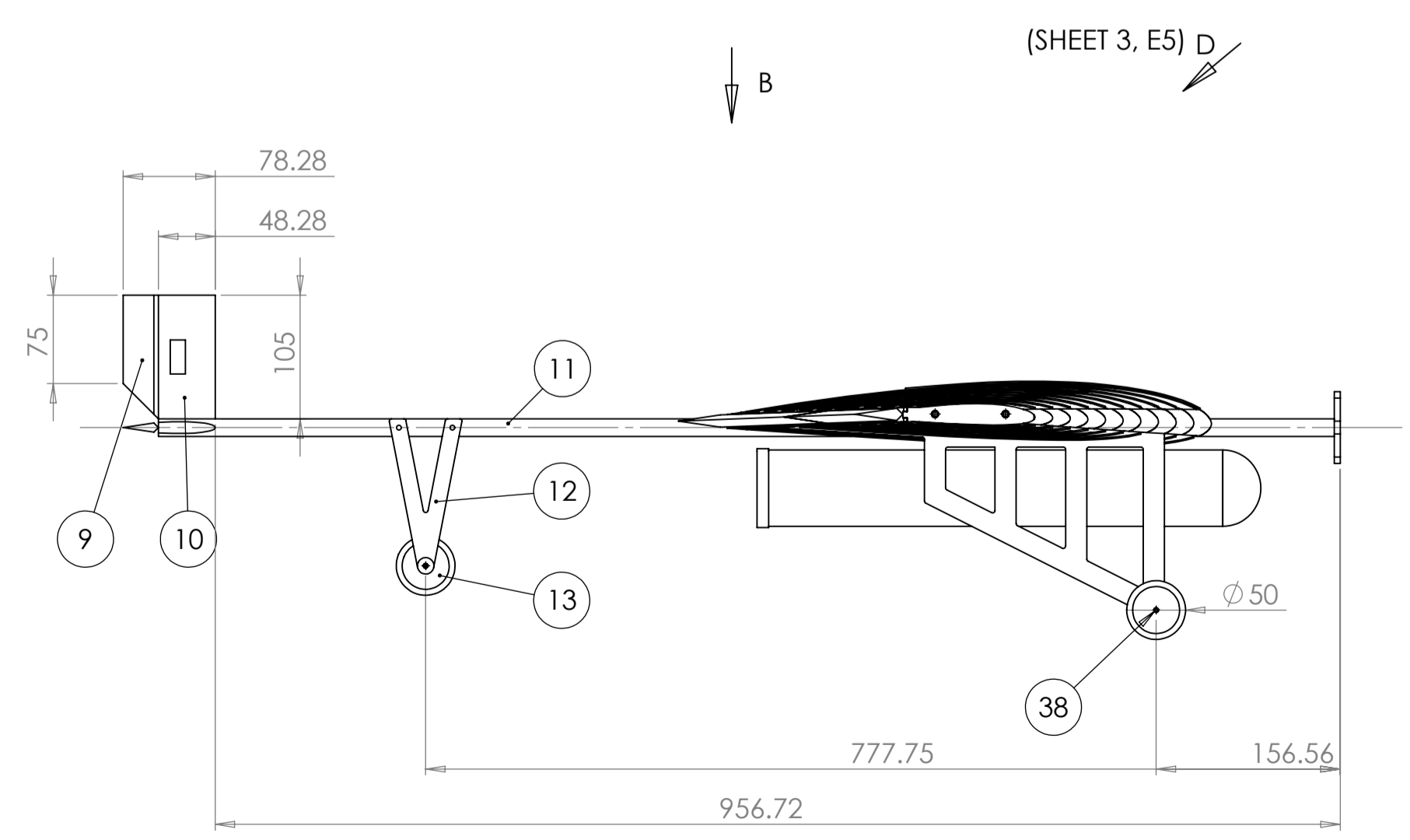
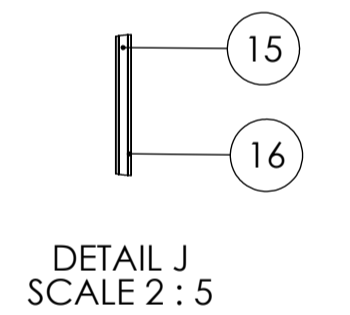


G (SHEET 2, F4)



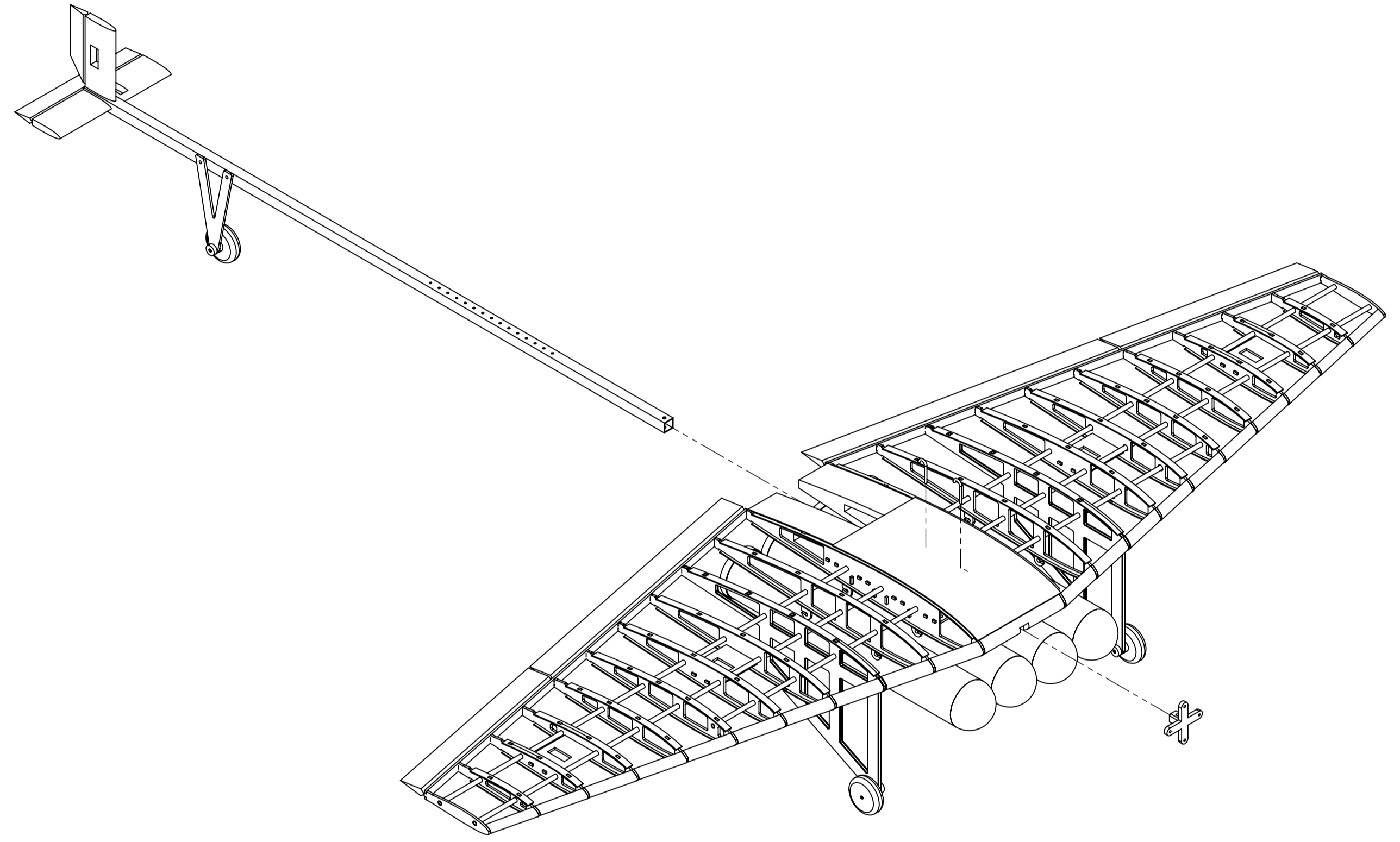
UNLESS OTHERWISE SPECIFIED: DIMENSIONS ARE IN MILLIMETERS SURFACE FINISH: TOLERANCES: LINEAR: --- ANGULAR: ---			FINISH: ---	DEBURR AND BREAK SHARP EDGES	DO NOT SCALE DRAWING	REVISION
DRAWN: L. BOOEN	SIGNATURE:	DATE: MAY 2016			TITLE: DRAWING SUBMITTED FOR MARKING AS PART OF THE REQUIRED DOCUMENTATION FOR THE PAYLOAD CHALLENGE 2 QUANTITY EVENT 2016, ENTRY BY SHEFFIELD HALLAM UNIVERSITY. TEAM REFERENCE NUMBER: Q08.	
CHKD:					DWG NO: <b>COMPETITION DRAWING,</b>	
APPVD:					<b>TEAM Q08</b>	
MFG:					SCALE: 1:5	
Q.A.:					SHEET 1 OF 3	



16 15 14 13 12 11 10 9 8 7 6 5 4 3 2 1

M  
L  
K  
J  
H  
G  
F  
E  
D  
C  
B  
A

ITEM NUMBER	BASIC DISCRPTION	MATERIAL	NOTES
1	SPAR	CARBON FIBRE COMPOSITE	MATERIAL USED ON ALL SPARS
2	SURFACE AREA INCREASER	BALSA	MATERIAL USED ON ALL SURFACE AREA INCREASERS
3	WING SERVO MOUNT	3-PLY PLYWOOD	MATERIAL USED ON ALL WING SERVO MOUNTS
4	LEADING EDGE INSERT	FOAM	MATERIAL USED ON ALL LEADING EDGE INSERTS
5	FUSELAGE COVER	BALSA	N/A
6	MOTOR MOUNT	OAK	N/A
7	HORIZONTAL STABALIZER	BALSA	N/A
8	HORIZONTAL STABALIZER CONTROL SURFACE	BALSA	N/A
9	VERTICAL STABALIZER	BALSA	N/A
10	VERTICAL STABALIZER CONTROL SURFACE	BALSA	N/A
11	SUPPORT STRUT	CARBON FIBRE COMPOSITE	N/A
12	REAR LANDING GEAR	CARBON FIBRE COMPOSITE	N/A
13	WHEEL	FOAM	MATERIAL USED FOR ALL WHEELS
14	LOCATOR/ SPACER	FOAM	N/A
15	FRONT LANDING GEAR/ RIB	3-PLY PLYWOOD	N/A
16	FRONT LANDING GEAR/ RIB	CARBON FIBRE COMPOSITE	N/A
17	MOUNTING BRACKET	CARBON FIBRE COMPOSITE	N/A
18	PAYLOAD CAP	PLASTIC	N/A
19	PAYLOAD TUBE	GLASS FIBRE	N/A
20	PAYLOAD NOSE CONE	FOAM	N/A
21	RIB	BALSA	COMPONENT SYMETRICAL ABOUT VIEWS CENTER LINE
22	RIB	BALSA	COMPONENT SYMETRICAL ABOUT VIEWS CENTER LINE
23	RIB	3-PLY PLYWOOD	COMPONENT SYMETRICAL ABOUT VIEWS CENTER LINE
24	RIB	3-PLY PLYWOOD	COMPONENT SYMETRICAL ABOUT VIEWS CENTER LINE
25	RIB	BALSA	COMPONENT SYMETRICAL ABOUT VIEWS CENTER LINE
26	RIB	BALSA	COMPONENT SYMETRICAL ABOUT VIEWS CENTER LINE
27	RIB	3-PLY PLYWOOD	COMPONENT SYMETRICAL ABOUT VIEWS CENTER LINE
28	RIB	3-PLY PLYWOOD	COMPONENT SYMETRICAL ABOUT VIEWS CENTER LINE
29	RIB	3-PLY PLYWOOD	COMPONENT SYMETRICAL ABOUT VIEWS CENTER LINE
30	RIB	3-PLYPLYWOOD	COMPONENT SYMETRICAL ABOUT VIEWS CENTER LINE
31	COMPONENT MOUNT	PLYWOOD	N/A
32	COMPONENT MOUNT	BALSA	2 COMPONENT MOUNT POSITIONED FORWARD OF THIS ARE OF THE SAME MATERIAL
33	LOCATING PIN	STEEL	MATERIAL USED FOR ALL LOCATING PINS
34	FUSELAGE FOAM SECTIONS	FOAM	COMPONENT SYMETRICAL ABOUT VIEWS CENTERLINE
35	FLAP	BALSA	COMPONENT SYMETRICAL ABOUT VIEWS CENTER LINE
36	AILERON	BALSA	COMPONENT SYMETRICAL ABOUT VIEWS CENTERLINE
37	TRALING EDGE STRIP	3-PLY PLYWOOD	COMPONENT SYMETRICAL ABOUT VIEWS CENTER LINE
38	AXIL	CARBON FIBRE COMPOSITE	MATERIAL USED FOR ALL WHEEL AXIS



REPEATED VIEW D (SHEET 1, G5)  
EXPLODED VIEW  
VIEW INCLUDED TO DEMINSTRATE HOW THE AIRCRAFT WILL BE ABLE TO BE DISSASSEMBLED FOR TRANSPORT

UNLESS OTHERWISE SPECIFIED: DIMENSIONS ARE IN MILLIMETERS		FRIGHT	DO NOT SCALE DRAWING	
—SURFACE FINISH—	—TOLERANCES—	—LINEAR—	—ANGULAR—	—REVISION—
NAME	SIGNATURE	DATE	TITLE: DRAWING SUBMITTED FOR MARKING AS PART OF THE REQUIRED DOCUMENTATION FOR THE PAYLOAD CHALLENGE 2 QUANTITY EVENT 2016, ENTRY BY SHEFFIELD HALLAM UNIVERSITY. TEAM REFERENCE NUMBER: Q08.	
DRAWN: L. BOOTH		MAY 2016		
CHECKED:				
APPROVED:				
MFG:				
Q.A.				
MATERIAL:			DRAWING NO: COMPETITION DRAWING, A1	
WEIGHT:			SCALE: 1:15 SHEET 3 OF 3	

16 15 14 13 12 11 10 9 8 7 6 5 4 3 2 1